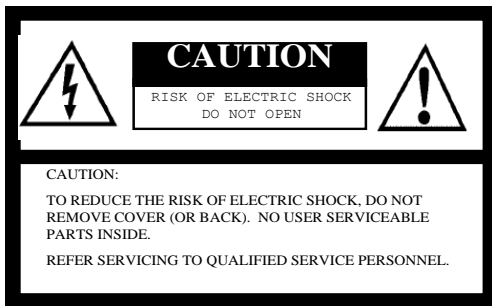




**STC-HD133 Series
DVI & SDI Output
Product Specification**

16:9 Format 720p Color Camera

Safety Precautions



For U.S.A.

Warning:

This equipment generates and uses radio frequency energy and if not installed and used properly, I.e., in strict accordance with the instruction manual, may cause harmful interference to radio communications. It has been tested and found to comply with the limits for a Class A computing device pursuant to Subpart J of Part 15 of FCC Rules, which are designed to provide reasonable protection against such interference when operated in a commercial environment.

For Canada

Warning:

This digital apparatus does not exceed the Class A limits for radio noise emissions from digital apparatus set out in the Radio Interference Regulations of the Canadian Department of Communications.



The lightning flash with arrowhead symbol, within an equilateral triangle, is intended to alert the user to the presence of uninsulated “dangerous voltage” within the product’s enclosure that may be of sufficient magnitude to constitute a risk of electric shock to persons.



The exclamation point within an equilateral triangle is intended to alert the user to the presence of important operating and maintenance (servicing) instructions in the literature accompanying the appliance.

WARNING:

TO PREVENT FIRE OR SHOCK HAZARD, DO NOT EXPOSE THIS APPLIANCE TO RAIN OR MOISTURE.

Product Precautions

- Handle the camera with care. Do not abuse the camera. Avoid striking or shaking it. Improper handling or storage could damage the camera.
- Do not pull or damage the camera cable.
- During camera use, do not wrap the unit in any material. This will cause the internal temperature of the unit to increase.
- Do not expose the camera to moisture, or do not try to operate it in wet areas.
- Do not operate the camera beyond its temperature, humidity and power source ratings.
- While the camera is not being used, keep the lens or lens cap on the camera to prevent dust or contamination from getting in the CCD or filter area and scratching or damaging this area.
- Do not keep the camera under the following conditions:
 - In wet, moist, and high humidity areas
 - Under hot direct sunlight
 - In high temperature areas
 - Near an object that releases a strong magnetic or electric field
 - Areas with strong vibrations
- Use a soft cloth to clean the camera. Use pressured air spray to clean the surface of the glass. DO not scratch the surface of the glass.

Copyright & Disclaimer

Sensor Technologies America, Inc. (DBA Sentech America) believes the contents and specifications of its website, catalog, documentation and ads are correct; however, Sentech America provides no representation or warranty regarding such information or product(s) contained therein. It is requested that Sentech America be given appropriate acknowledgement in any subsequent use of such work by a third party.

While every effort has been made to ensure that the details contained in Sentech America's website and all documentation are correct and up-to-date, Sentech America assumes no liability, legal or otherwise for any errors in listings, specifications, part numbers, process, software or model applications. Sentech America reserves the right to change specifications, product descriptions, product quality, pricing and application at any time without prior written or oral notice. Any party using such information assumes all risk for any and all damaged caused to themselves, a third party and/or property by virtue of incorrect information and/or failure of these products. By installing and/or using a Sentech America software development kit or other similar product and/or information obtained from Sentech America's website, catalog, documentation or ads, you hereby accept and understand these stated terms and conditions.

Contents

I. Specifications	5-7
A. Electronic / Mechanical / Environmental Specifications	6
B. Spectral Sensitivity Characteristics	7
II. Camera Operations	8-11
A. Shutter Setting	8-9
B. The Camera Control Functions	10
C. External Control Board Circuits.....	11
1. SW Board Circuits for 3.5 ϕ Stereo Jack (External SW).....	11
2. SW Board Circuits for SM06B-SRSS-TB (JST) on Board Type (Board SW)	11
D. Connector Specifications(STC-HD133SDI-B, STC-HD133SDI-BHS Back Panel).....	12
III. Dimensions	13-20
A. STC-HD133DV.....	13
B. STC-HD133DV-B	14
C. STC-HD133DV-CS.....	15
D. STC-HD133DV-BCS	16
E. STC-HD133SDI	17
F. STC-HD133SDI-B	18
H. STC-HD133SDI-CS.....	19
I. STC-HD133SDI-BHS.....	20

I. Specifications

The Specifications below describe the following cameras:

DVI Output:

STC-HD133DV	(C Mount Cased Type)
STC-HD133DV-B	(C Mount Board Type)
STC-HD133DV-CS	(CS Mount Cased Type)
STC-HD133DV-BCS	(CS Mount Board Type)

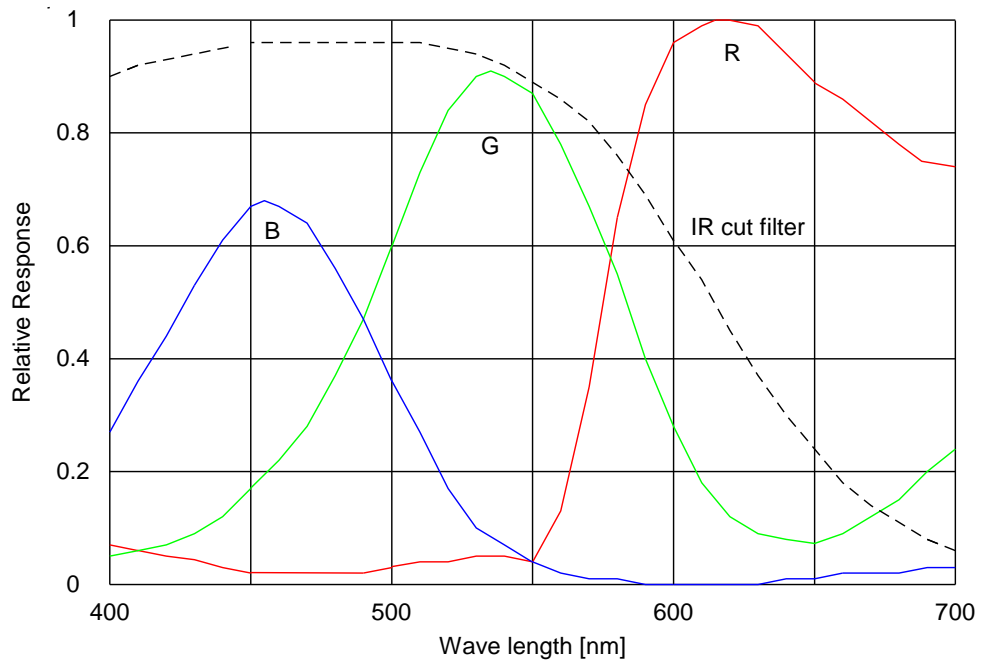
SDI Output:

STC-HD133SDI	(C Mount Cased Type)
STC-HD133SDI-B	(C Mount Board Type)
STC-HD133SDI-CS	(CS Mount Cased Type)
STC-HD133SDI-BHS	(CS Mount Board Type, Low Noise)

A. Electronic / Mechanical / Environmental Specifications

Product		STC-HD133** (Cased type)	STC-HD133**-B (Board type)	Initial Setting	
Electronic specifications	Imager	1/3" interline SXGA CCD: ICX445AQA			
	HD active picture elements	1280 (H) x 720 (V)			
	Chip size	6.26 (H) x 5.01 (V) mm			
	Cell size	3.75 (H) x 3.75 (V) μm			
	Minimum scene illumination	5 Lux at F1.2 at 50 % IRE, AGC ON and 1/60 seconds shutter speed with IR cut filter			
	Resolution	600 TV lines			
	Sync. System	Internal			
	Video output	DVI Model	DVI 1.0 conformity RGB, 1280 (H) x 720 (V), 59.94Hz / 60Hz / 50Hz / 29.97Hz / 30Hz / 25Hz		59.94 Hz
		SDI Model	HD-SDI (SMPTE292M Compliant) YPbPr, 1280 (H) x 720 (V), 60 Hz / 59.94 Hz / 50 Hz		59.94 Hz
	Camera functions				
		ALC	Can be configured via the UART communication with auto electronic shutter and AGC		ALC ON
		Shutter speed	Adjustable shutter speed via the UART communication Up to 1/100,000 seconds at 60 Hz / 59.94 Hz or up to 1/83,947 seconds at 50 Hz		AEE
		Gain	AGC or Fixed gain selectable via the UART communication Gain range: 0 to 18.3 dB		Fixed Gain 0 dB
		Digital gain	Up to 5.9866 dB		0 dB
		Gamma	1.0, 0.9, 0.8, 0.7, 0.6, 0.5, 0.45, 0.3 or manual gamma Selectable gamma via the UART communication		Manual Gamma
		White balance	Auto white balance / manual white balance / push to set white balance Selectable white balance via the UART communication		Auto White Balance
		Mirror image	Normal image and horizontal flip are selectable mirror image via the UART communication		Normal image
		DSP presets	Twenty eight DSP presets Selectable picture mode via the UART communication		Preset 00
		Line generator	Both horizontal and vertical with all available colors Adjustable thickness via the UART communication		No Lines
		Shadow mask generator	Both horizontal and vertical with shading level adjustment via the UART communication		No shadow mask
		Communication	+3.3V UART communication via 3.5Φ stereo jack		
		Character generator	Built-in character generation function via the UART communication		
		Pixel blemish collection	Up to 64 pixel blemish static collection		
Power	Input voltage	+9 to +15 Vdc (Typical: +12 Vdc)			
	Consumption	Less than 3.0 W			
Mechanical specifications	Dimensions	40 (W) x 40 (H) x 45.8 (D) mm	35 (W) x 35 (H) x 46.7 (D) mm		
	Optical filter	IR cut filter on			
	Lens mount	C mount/CS-mount			
	Interface connector	Video output	DVI Output: HDMI connector, SDI Output: BNC connector		
		Power input	12V power jack		
		External control	3.5Φ stereo jack with SW board	3.5Φ stereo jack with SW board, SM06B-SRSS (JST) 6-pin connector header for up to nine external switch connectivity Functions are in the list of 2.2 The camera control functions	
		Communication	3.5Φ stereo jack		
	Button	Primary SW Initial press button function: push to set white balance Initial hold button function: Auto white balance (Function is selectable via the UART communication)			
	Weight	Approximately 120 g	Approximately 50 g		
	Environmental specifications	Operational temperature	0 to +40 deg. C		
Storage temperature		-30 to +65 deg. C			
Vibration		20Hz to 200Hz to 20Hz (5min./cycle), acceleration: 10G, 30 min., XYZ each directions	-		
Shock		Acceleration: 38G, half amplitude 6ms, 3 times XYZ each directions	-		
Standard compliancy		EMS: EN61000-6-2, EMI: 55011			
RoHS	RoHS compliance				

B. Spectral Sensitivity Characteristics



II. Camera Operations

A. Shutter Setting

Setting value is 0 to 63:

$$\text{Exposure time (seconds)} = \left(\text{Vline} \times \text{Hclk} - \frac{\text{Vline} \times \text{Hclk} \times \text{Setting value}}{128} \right) \times \frac{1}{\text{Fclk}}$$

Setting value is 64 to 127:

$$\text{Exposure time (seconds)} = \left(\frac{\text{Vline} \times \text{Hclk}}{2} - \frac{\text{Vline} \times \text{Hclk} \times (\text{Setting value} - 64)}{256} \right) \times \frac{1}{\text{Fclk}}$$

Setting value is 128 to 191:

$$\text{Exposure time (seconds)} = \left(\frac{\text{Vline} \times \text{Hclk}}{4} - \frac{\text{Vline} \times \text{Hclk} \times (\text{Setting value} - 128)}{512} \right) \times \frac{1}{\text{Fclk}}$$

Setting value is 192 to 255:

$$\text{Exposure time (seconds)} = \left(\frac{\text{Vline} \times \text{Hclk}}{8} - \frac{\text{Vline} \times \text{Hclk} \times (\text{Setting value} - 192)}{1,024} \right) \times \frac{1}{\text{Fclk}}$$

Setting value is 256 to 319:

$$\text{Exposure time (seconds)} = \left(\frac{\text{Vline} \times \text{Hclk}}{16} - \frac{\text{Vline} \times \text{Hclk} \times (\text{Setting value} - 256)}{2,048} \right) \times \frac{1}{\text{Fclk}}$$

Setting value is 320 to 383:

$$\text{Exposure time (seconds)} = \left(\frac{\text{Vline} \times \text{Hclk}}{32} - \frac{\text{Vline} \times \text{Hclk} \times (\text{Setting value} - 320)}{4,096} \right) \times \frac{1}{\text{Fclk}}$$

Setting value is 384 to 447:

$$\text{Exposure time (seconds)} = \left(\frac{\text{Vline} \times \text{Hclk}}{64} - \frac{\text{Vline} \times \text{Hclk} \times (\text{Setting value} - 384)}{8,192} \right) \times \frac{1}{\text{Fclk}}$$

Setting vlaue is 448 to 511:

$$\text{Exposure time (seconds)} = \left(\frac{\text{Vline} \times \text{Hclk}}{128} - \frac{\text{Vline} \times \text{Hclk} \times (\text{Setting value} - 448)}{16,384} \right) \times \frac{1}{\text{Fclk}}$$

Setting value is 512 to 575:

$$\text{Exposure time (seconds)} = \left(\frac{\text{Vline} \times \text{Hclk}}{256} - \frac{\text{Vline} \times \text{Hclk} \times (\text{Setting value} - 512)}{32,768} \right) \times \frac{1}{\text{Fclk}}$$

Setting value is 576 to 639:

$$\text{Exposure time (seconds)} = \left(\frac{\text{Vline} \times \text{Hclk}}{512} - \frac{\text{Vline} \times \text{Hclk} \times (\text{Setting value} - 576)}{65,536} \right) \times \frac{1}{\text{Fclk}}$$

Setting value is 640 to 699:

$$\text{Exposure time (seconds)} = \left(\frac{\text{Vline} \times \text{Hclk}}{1,024} - \frac{\text{Vline} \times \text{Hclk} \times (\text{Setting value} - 640)}{131,072} \right) \times \frac{1}{\text{Fclk}}$$

Vline: Number of lines for 1V = 750
 Fclk: Clock frequency = 74.25 MHz = 74,250,000
 Hclk: Number of clocks for 1H = 1,650 (60 or 59.94 Hz) or 1,980 (50 Hz)

Formula for the exposure moment

Exposure Time Example:

720P-60Hz, 720P-59.94 Hz Operations

Value	High speed shutter	
0	16.7ms	1/60s
64	8.33ms	1/120s
128	4.17ms	1/240s
192	2.08ms	1/480s
256	1.04ms	1/960s
320	520.8us	1/1,920s
384	260.4us	1/3,840s
448	130.2us	1/7,680s
512	65.1us	1/15,360s
576	32.6us	1/30,720s
640	16.3us	1/61,440s
690	10.0us	1/100,000s

720P-50Hz Operations

Value	High speed shutter	
0	20.0ms	1/50s
64	10.0ms	1/100s
128	5.00ms	1/200s
192	2.50ms	1/400s
256	1.25ms	1/800s
320	625.0us	1/1,600s
384	312.5us	1/3,200s
448	156.25us	1/6,400s
512	78.13us	1/12,800s
576	39.06us	1/25,600s
640	19.53us	1/51,200s
690	12.0us	1/83,947s

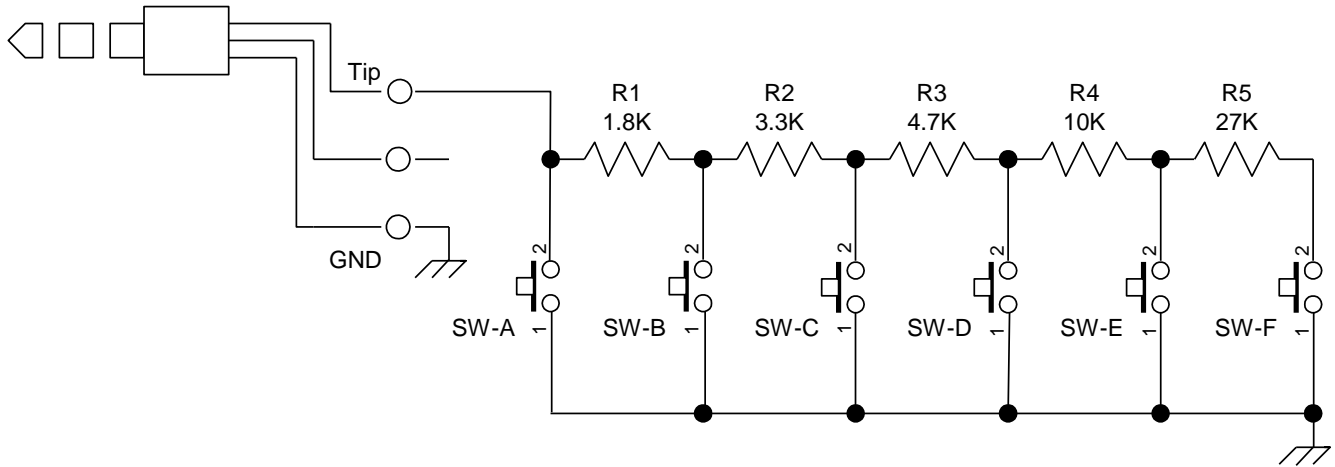
B. The Camera Control Functions

	Functin
1	Display Menu
2	DSP preset (+)
3	DSP preset (-)
4	Contrast (+)
5	Contrast (-)
6	Shadow mask shading level (+)
7	Shadow mask shading level (-)
8	Shadow mask top (+)
9	Shadow mask top (-)
10	Shadow mask bottom (+)
11	Shadow mask bottom (-)
12	Shadow mask top / bottom (+)
13	Shadow mask top / bottom (-)
14	Shadow mask left (+)
15	Shadow mask left (-)
16	Shadow mask right (+)
17	Shadow mask right (-)
18	Shadow mask left / right (+)
19	Shadow mask left / right (-)
20	Horizontal line maker color (+)
21	Horizontal line maker color (-)
22	Horizontal line maker size (+)
23	Horizontal line maker size (-)
24	Horizontal line maker position (+)
25	Horizontal line maker position (-)
26	Vertical line maker color (+)
27	Vertical line maker color (-)
28	Vertical line maker size (+)
29	Vertical line maker size (-)
30	Vertical line maker position (+)
31	Vertical line maker position (-)
32	Horizontal mirror OFF
33	Horizontal mirror ON
34	Horizontal mirror ON/OFF change
35	Manual white balance
36	Auto white balance
37	Push to set white balance
38	Auto/manual white balance change
39	ALC OFF
40	ALC ON
41	ALC ON/OFF change
42	Fixed shutter
43	Auto shutter
44	Auto/fixd shutter change
45	Fixed gain
46	AGC ON
47	Fixed gain/AGC change

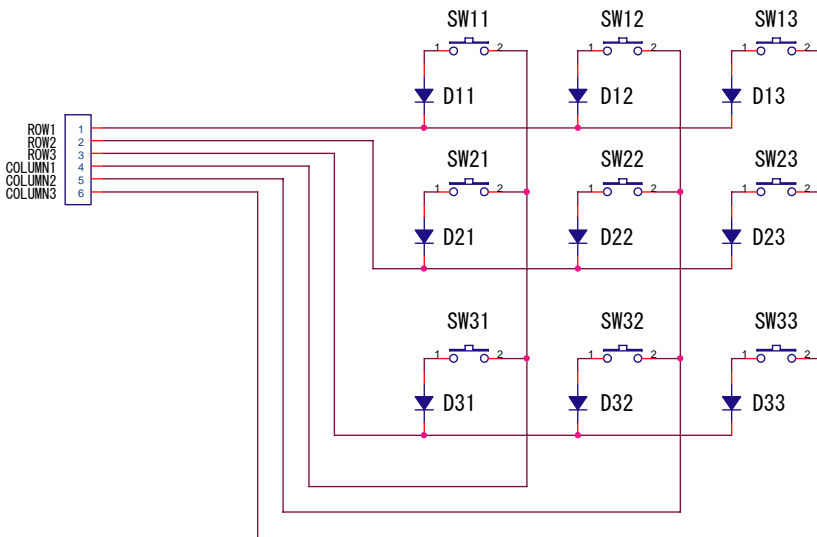
	Function
48	Undisplay maker (line maker and shadow mask)
49	Display maker (line maker and shadow mask)
50	Display/Undisplay maker (line maker and shadow mask)
51	Undisplay line maker
52	Display line maker
53	Display/Undisplay line maker
54	Undisplay shadow mask
55	Display shadow mask
56	Display/Undisplay shadow mask
57	Save to EEPROM (Horizontal mirror OFF)
58	Save to EEPROM (Horizontal mirror ON)
59	Save to EEPROM (Horizontal mirror ON/OFF change)
60	Save to EEPROM (Manual white balance)
61	Save to EEPROM (Auto white balance)
62	Save to EEPROM (Push to set white balance)
63	Save to EEPROM (Auto/manual white balance change)
64	Save to EEPROM (Undisplay maker (line maker and shadow mask))
65	Save to EEPROM (Display maker (line maker and shadow mask))
66	Save to EEPROM (Display/Undisplay maker (line maker and shadow mask))
67	Save to EEPROM (Undisplay line maker)
68	Save to EEPROM (Display line maker)
69	Save to EEPROM (Display/Undisplay line maker)
70	Save to EEPROM (Undisplay shadow mask)
71	Save to EEPROM (Display shadow mask)
72	Save to EEPROM (Display/Undisplay shadow mask)
73	Horizontal mirror ON/OFF change (Select: ON, unselect: OFF)
74	Auto/manual white balance change (Select: Auto, unselect: manual)
75	Display/Undisplay maker (line maker and shadow mask) (Select: Display, unselect: undisplay)
76	Display/Undisplay line maker (Select: Display, unselect: undisplay)
77	Display/Undisplay shadow mask (Select: Display, unselect: undisplay)

C. External Control Board Circuits

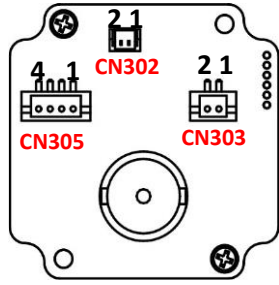
1. SW Board Circuits for 3.5 Stereo Jack (External SW)



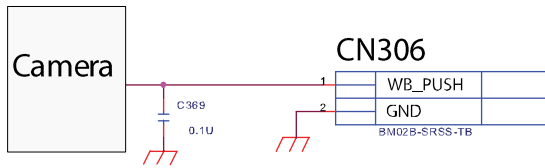
2. SW Board Circuits for SM06B-SRSS-TB (JST) on Board Type (Board SW)



D. Connector Specifications (STC-HD133SDI-B, STC-HD133SDI-BHS Back Panel)



Connector Location



CN306 Equivalent Circuit

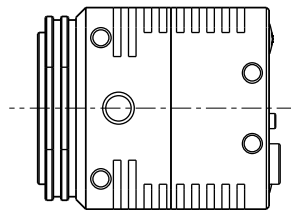
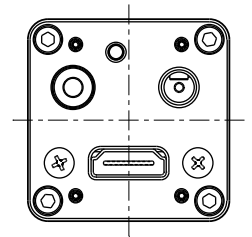
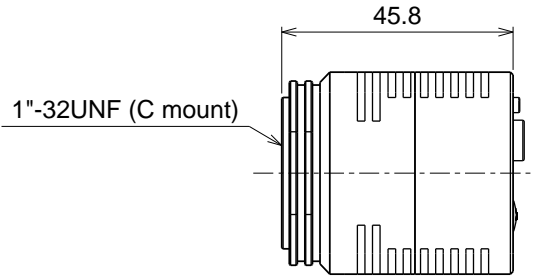
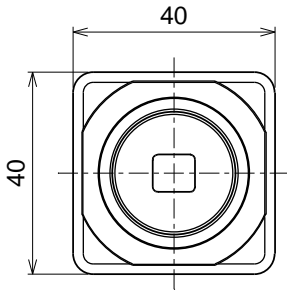
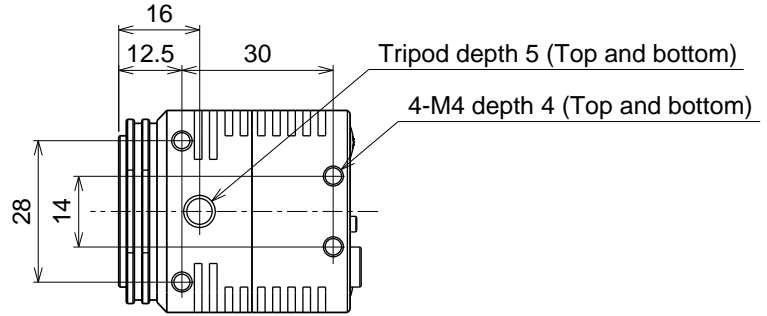
CN303	Power B2B-ZR-SM4-TF
1	DC_IN(12V)
2	GND

CN305	Communication B4B-ZR-SM4-TF
1	+3.3V
2	TX
3	GND
4	RX

CN306	Push Button BM02B-SRSS-TB
1	WB_PUSH
2	GND

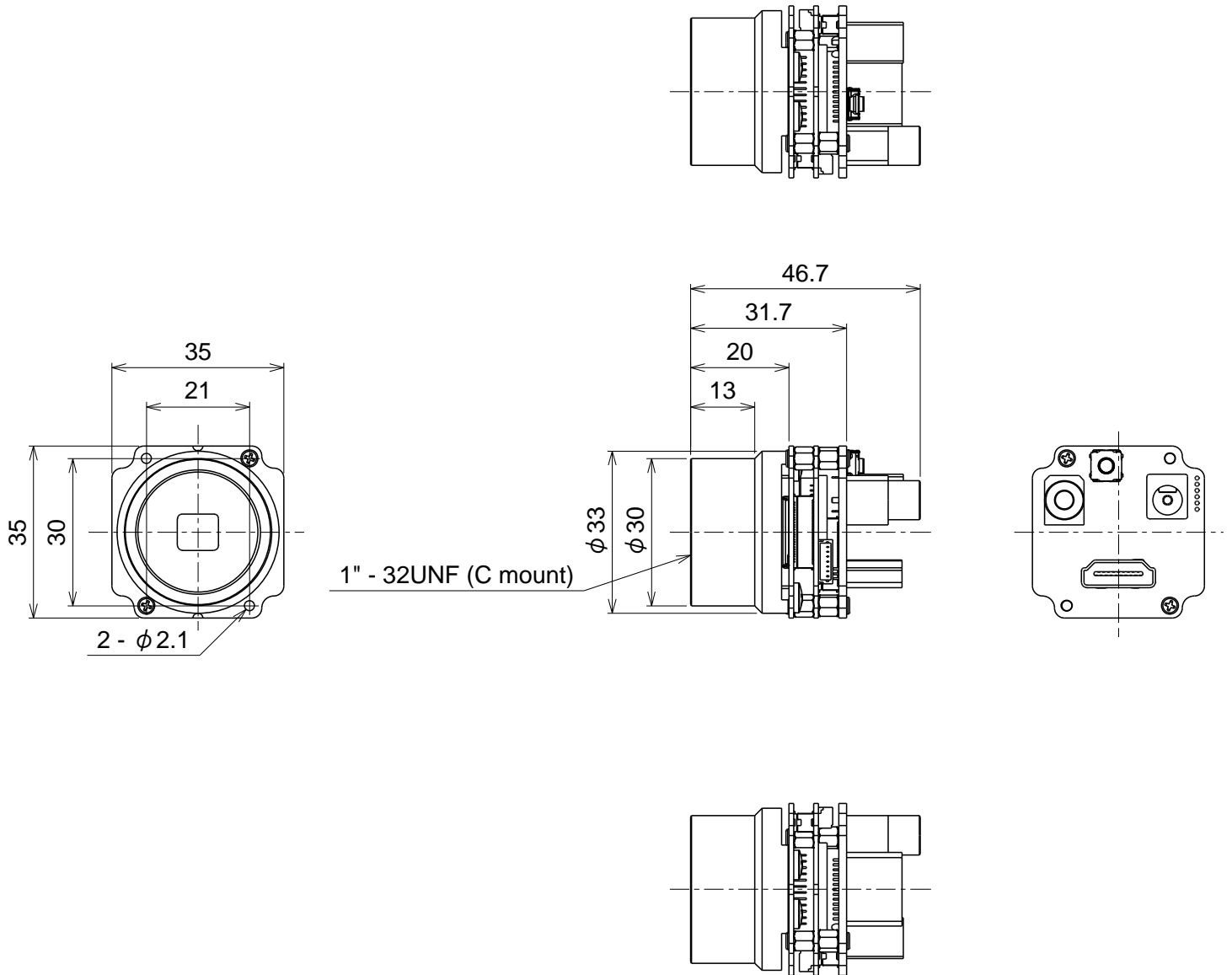
III. Dimensions

A. STC-HD133DV



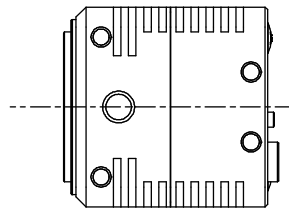
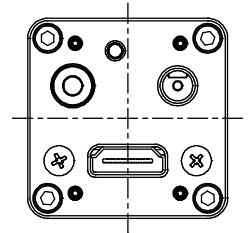
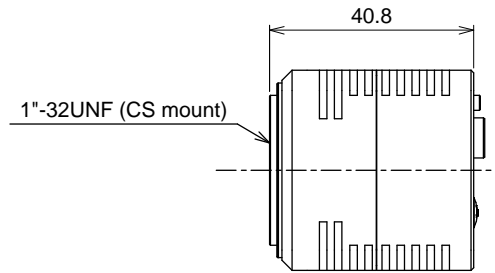
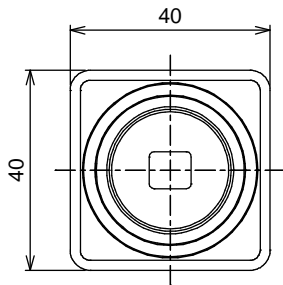
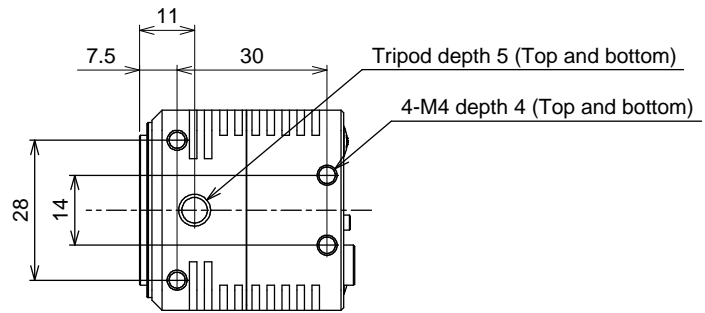
Unit: mm

B. STC-HD133DV-B



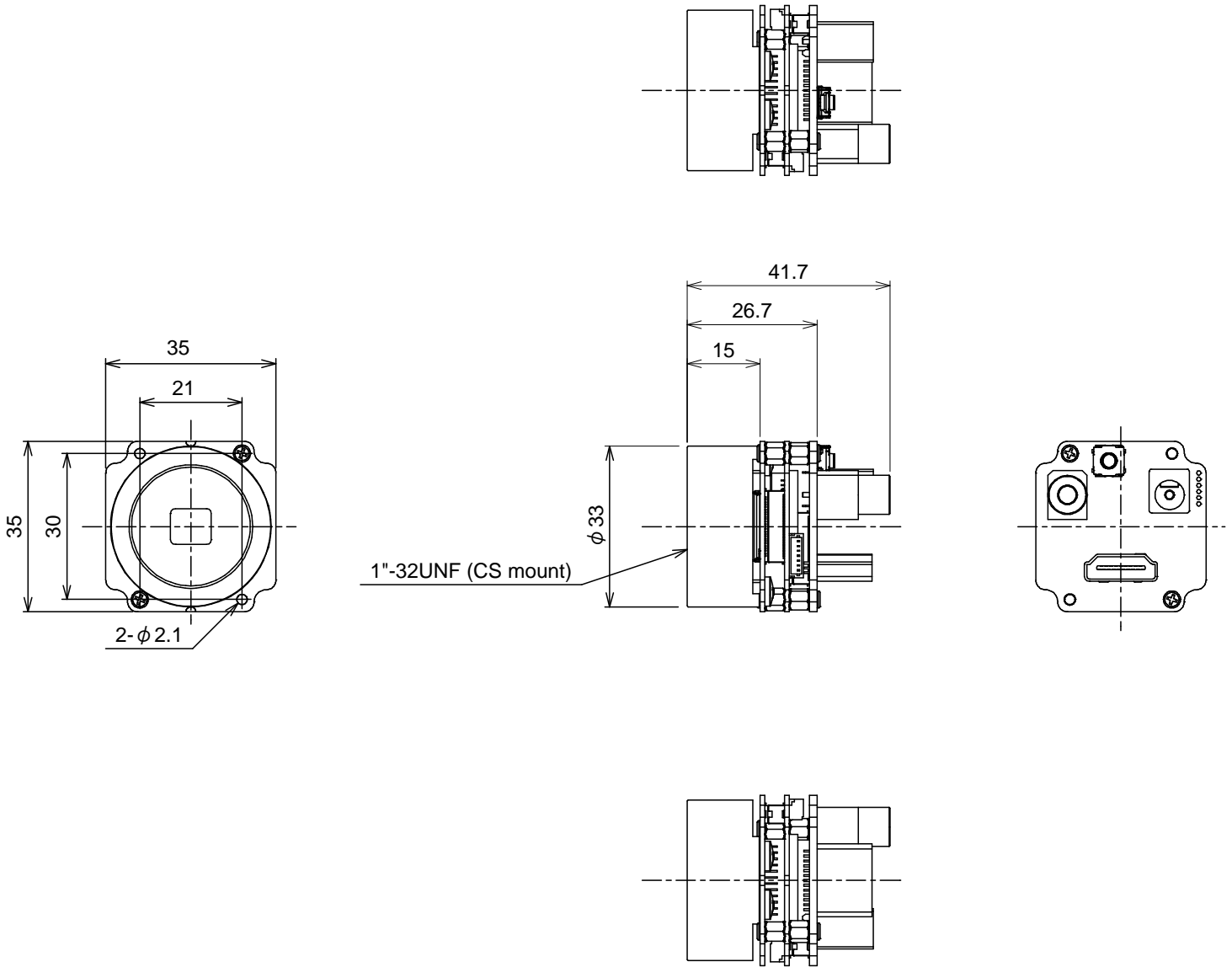
Unit: mm

C. STC-HD133DV-CS



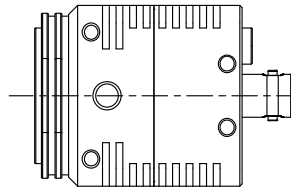
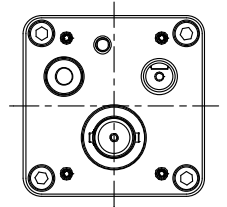
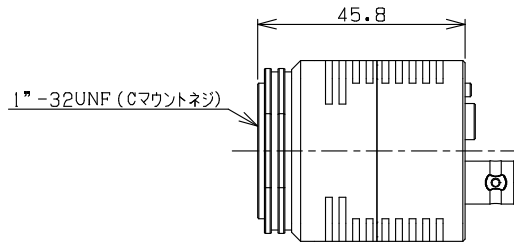
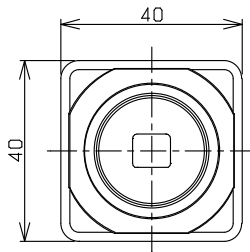
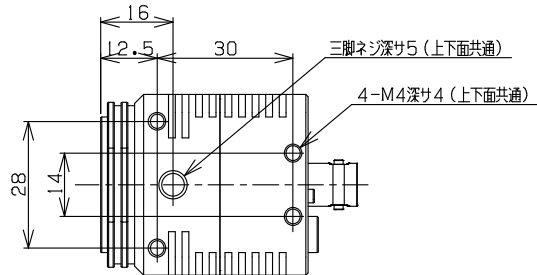
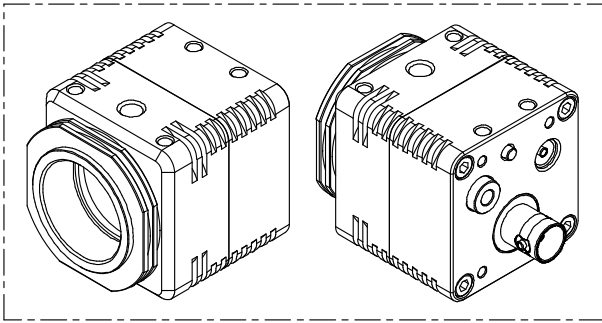
Unit: mm

D. STC-HD133DV-BCS



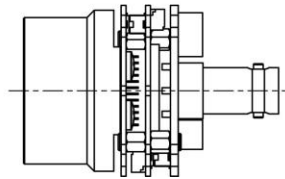
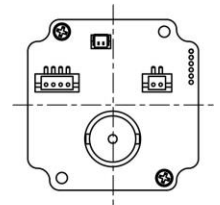
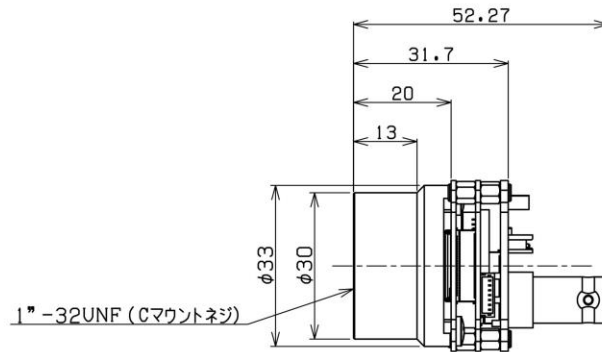
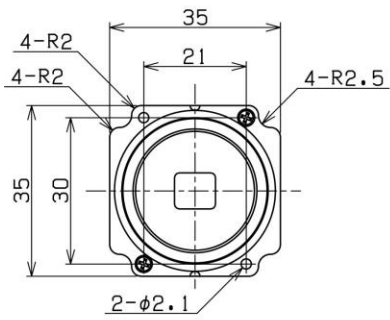
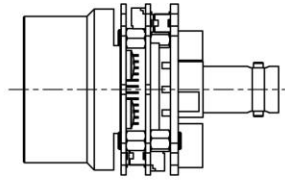
Unit: mm

E. STC-HD133SDI



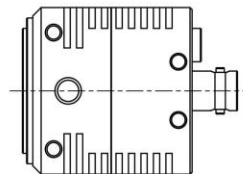
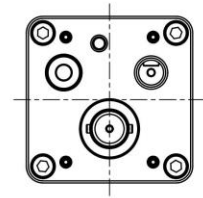
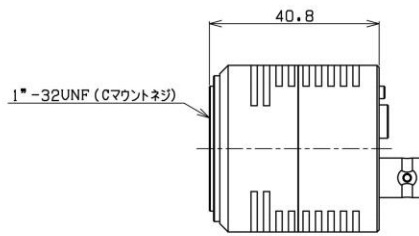
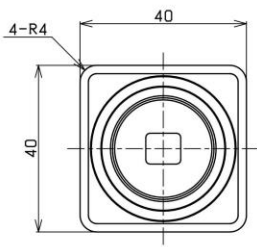
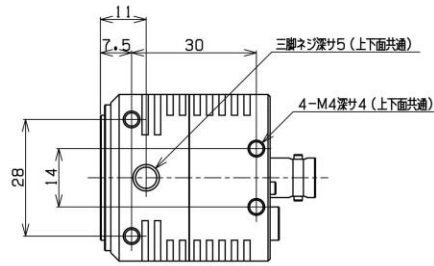
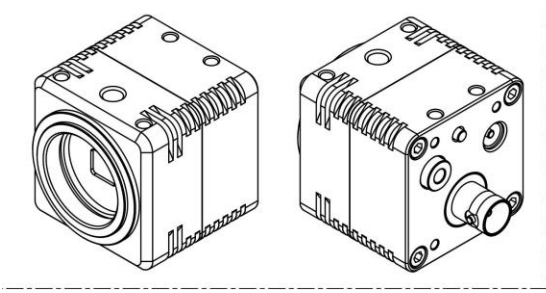
Unit: mm

F. STC-HD133SDI-B



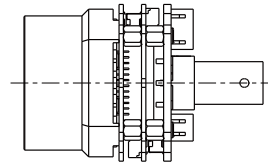
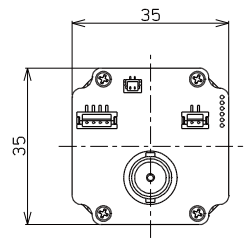
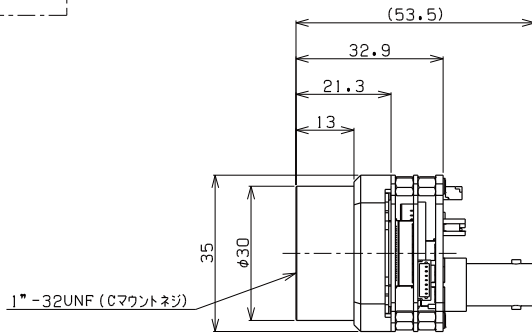
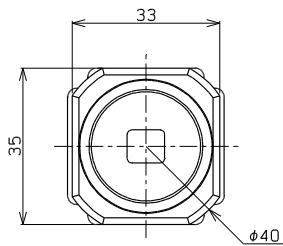
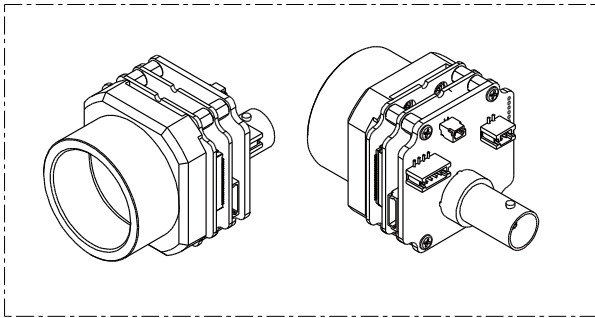
Unit: mm

G. STC-HD133SDI-CS



Unit: mm

H. STC-HD133SDI-BHS



Unit: mm

Revisions

Rev	Date	Changes	Note
0.01	2009/12/29	New document	
0.02	2010/1/12	Corrected: Mirror Image – Only horizontal flip DSP Preset – 28 settings	
0.03	2011/3/1	Updated 1. Revised the shutter speed for the 50Hz 2. Added the 59.94 Hz specifications 3. Change the minimum scene illumination 4. Change the power consumption 5. Change the mirror image specification 6. Added the control button for the display menu	
1.0	2011/7/5	Update 1. Changed the dimensions (board version) 2. Added the resolution 3. Add the formula for shutter speed 4. Added vibration spec 5. Add the shock spec 6. Revise the operational temperature 7. Added spectral sensitivity	
1.03	April 24, 2013	Updated to Current Version	
1.04	June 6, 2013	Update Added Connector Specifications	

Sensor Technologies America, Inc.

1345 Valwood Pkwy, Suite 320
Carrollton, Texas 75006-6891
TEL (972) 481-9223 FAX (972) 481-9209
URL <http://www.sentechamerica.com/>

Sensor Technology Co., Ltd.

7F, Harada Center Building
9-17, Naka cho 4chrome
Atsugi-city, Kanagawa
243-0018 Japan
TEL +81-46-295-7061 FAX +81-46-295-7066
URL <http://www.sentech.co.jp/>

Taiwan Sensor Technology, Inc.

3F-6, No. 9, Aiguo W, Rd., Jhong Jheng District
Taipei City 100, Taiwan, R.O.C.
TEL 886-2-2383-2331 FAX 886-2-2370-8775
EMAIL: sentech0501@yahoo.com.tw