

DS-2CE72KF3TP-DLS
3K ColorVu Dual-lens Turret Camera

- Dual-lens design, built-in stitching algorithm, presenting a 180-degree image
- High quality imaging with 3K, 3328 × 1504 resolution
- 24/7 color imaging with F1.0 aperture
- Smart-Hybrid light, optimize your security with flexible lighting options
- Clear imaging against strong back light due to 130 dB true WDR technology
- 3D DNR technology delivers clean and sharp images
- Up to 40 m white light and 40 m IR distance for bright night imaging
- Built-in mic, high quality audio with audio over coaxial cable
- Water and dust resistant (IP67)

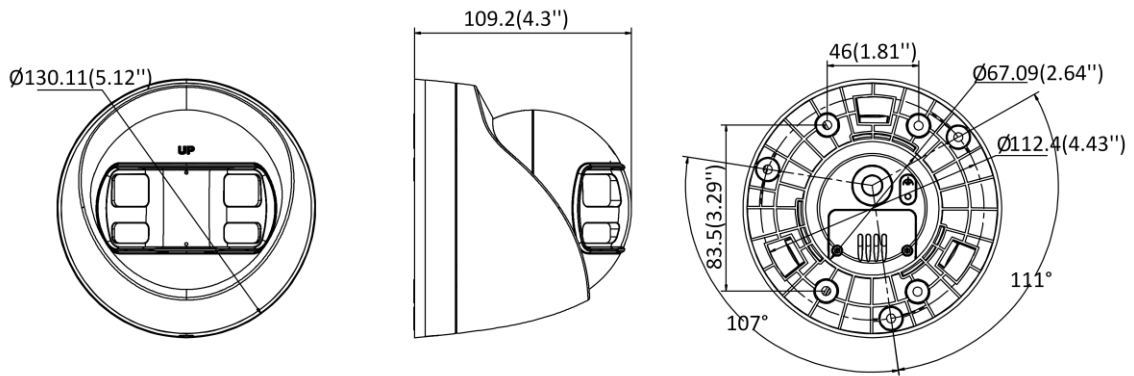
▪ Specification

Camera	
Max. Resolution	3328 (H) × 1504 (V)
Shutter Time	1/20 s to 1/50,000 s
Image Sensor	3K CMOS
Slow Shutter	Max. 16 times
Min. Illumination	0.0005 Lux @ (F1.0, AGC ON), 0 Lux with white light
Angle Adjustment	Pan: 0° to 360°, Tilt: 0° to 75°, Rotate: 0° to 360°
Lens	
Lens Type	2.8 mm fixed focal lens
Focal Length & FOV	2.8 mm, horizontal FOV: 180°, vertical FOV: 75°
Lens Mount	M12
Illuminator	
Supplement Light Range	IR: Up to 40 m, White Light: Up to 40 m
Smart Supplement Light	Yes
Image	
Privacy Mask	4 programmable privacy masks
Frame Rate	3K @20 dual
Wide Dynamic Range (WDR)	≥130 dB
Image Parameters Switch	STD/HIGH-SAT/HIGHLIGHT
Day/Night Mode	Auto
White Balance	Auto/Manual
Image Enhancement	WDR,BLC,HLC,Global
Noise Reduction	3D DNR
Image Settings	Brightness,Contrast,Smart IR,Sharpness,Anti-Banding,AGC
Interface	
Video Output	1 HD analog output
Built-in Microphone	Yes
Event	
Motion Detection	4 programmable motion areas
General	
Power	12 VDC ± 25%, max. 8.9 W *You are recommended to use one power adapter to supply the power for one camera. If a high-impedance cable is used (such as the 18 m extension cable in the kit package), a 15 VDC adapter is required.
Language	English
Operating Condition	-40 °C to 60 °C (-40 °F to 140 °F). Humidity: 90% or less (non-condensing)
Material	Main body: Metal, Enclosure: Plastic
Communication	HIKVISION-C
Dimension	Ø130.11 mm × 109.2 mm (Ø5.12" × 4.3")
Weight	Approx. 570 g (1.26 lb.)
Approval	
Protection	IP67

▪ **Available Model**

DS-2CE72KF3TP-DLS(180°)

▪ **Dimension**



Unit: mm (inch)

▪ **Accessory**

▪ **Optional**

DS-1273ZJ-130-TRL Wall mount	DS-1280ZJ-DM21 Junction box	DS-1281ZJ-M Inclined ceiling mount

See Far, Go Further



www.hikvision.com
support@hikvision.com

