



### **CPT940 aluminium housing cable managed with Germanium glass for thermal cameras**

- ✓ made entirely in aluminium
- ✓ weatherproof rating IP66
- ✓ cable managed
- ✓ germanium glass for thermal cameras
- ✓ wall, ceiling, pole, corner mounting
- ✓ slide opening system
- ✓ easy fastening and positioning



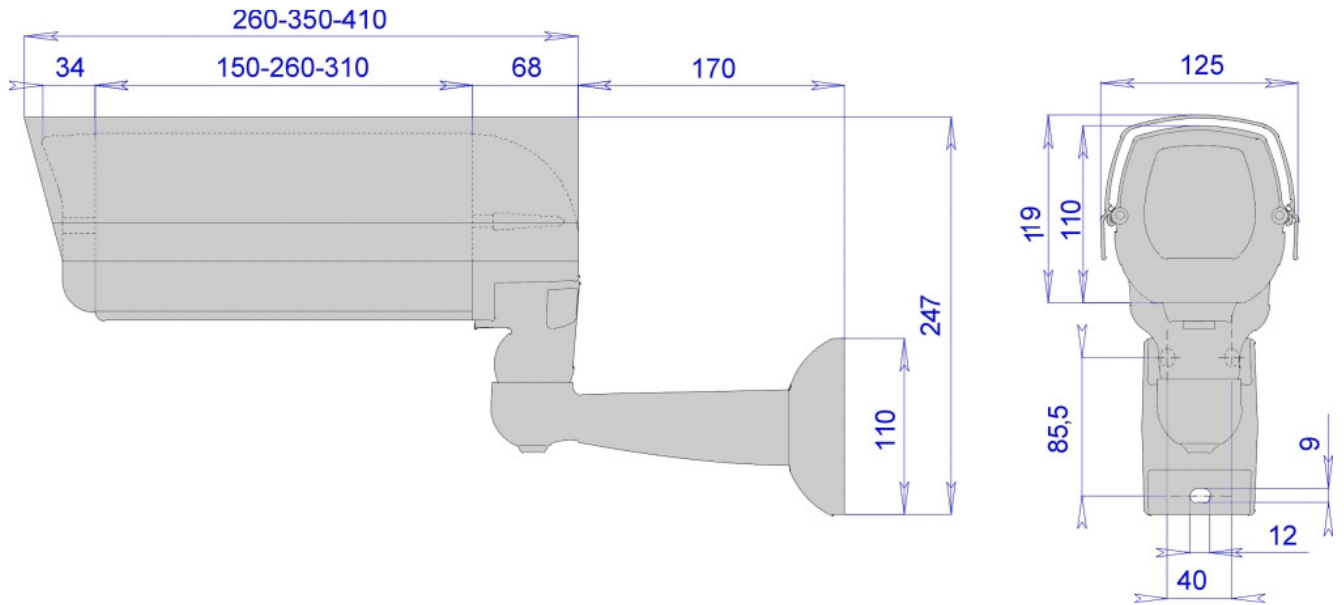
#### **Aluminium housing cable managed**

Housing model **CPT940** cable managed made entirely in aluminium with frontal cover and Germanium glass studied for thermal cameras applications. It has a good optical performance: from 7,5 to 14µm.

Available there are a wide range of accessories: cameras power supply, ventilation set, anti-tampering set, anticondensing glass, antibreaking glass, etc. Suitable for most 1/2" 1/3" and 1/4" cameras with fixed focal lenses or compact zoom.

# - DATA SHEET -

## camera housing



the values are in millimeters

### TECHNICAL DATA

#### GENERAL

- body and sunshield made in aluminium
- painted with polyester powder RAL 7035 (light grey)
- stainless steel bolts and screws
- with silica-gel (anticondensing salt) and allen keys for opening
- extractable slide-out unit with looking system
- heater
- wide range of accessories
- supplied with instruction manual
- according to RoHS compliance

#### Germanium glass

- useful window Ø35mm. (Ø55mm. on request)
- antireflection treatment
- external non-scratch treatment (carbon coating)
- spectral range from 7,5 to 14µm

#### ELECTRICAL

- heater 230-110-24-12 Vac  
consumption max. 30W  
t on 15°C t off 22°C +/- 3°C
- ventilation 230Vac, 24Vac, 12Vac  
consumption max. 1W  
t on 37°C t off 27°C +/- 3°C
- power supply AL700/... :  
AL700/A 230Vac -12Vdc 400mA  
AL700/B 230Vac -24Vac 400mA  
AL700/C 230Vac -12Vdc 1A

#### MECHANICAL

- usable internal space 80x72mm (WxH)  
length 150-260-310mm.
- weatherproof rating IP66
- indoor/outdoor installations
- cable managed
- operating temperature from -20°C to +50°C
- weight 3 Kg. (on version 260mm KIT)

#### RELATED PRODUCTS

- STS700** ceiling bracket
- SP/A** pole adaptor
- SA/A** corner adaptor
- PA1** reinforcing support plate
- PA1/SD** reinforcing support plate in weatherproof box
- PS1** external power supply 230/12Vdc 400mA and 12Vac.
- PS2** external power supply 230/12Vdc 400mA
- PS3** external power supply 230/24Vac 400mA

GLOBAL PROOF si riserva il diritto di modificare le specifiche e le caratteristiche tecniche senza obbligo di preavviso, pesi e misure sono indicative