

DATASHEET

CRONO CLK300 **aluminium side opening housing**

- side opening housing made of die-cast aluminium
- IP66/67 weatherproof rating
- **IK10** protection (with anti-breaking glass)
- integrated wiper (optional, on request)
- extremely easy installation and maintenance
- wide range of optional accessories



Side opening housing

The housing **CRONO CLK300** is designed to simplify installation and maintenance of all the most common cameras, also of medium-large size, IP and megapixels, with various lenses. The housing, thanks to its built-in accessories, is ready to fit any installation requirement: analog, IP, fiber optics (ex. MediaConverter, UMTS router) etc.

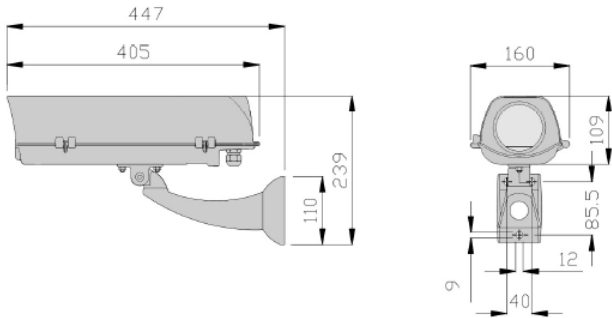
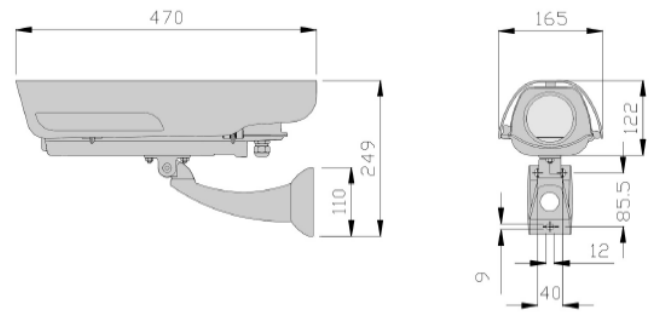
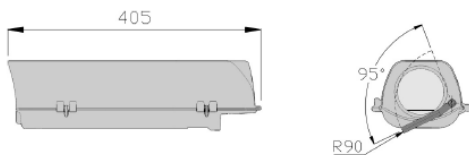
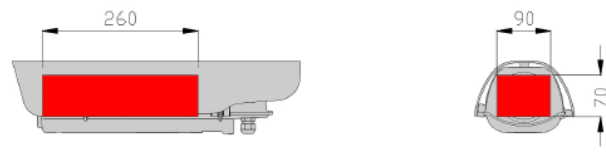
The die-cast aluminum construction provides high impact resistance and good heat dissipation toward the outside in combination with special anti-breaking glass this housing is IK10 compliant, while the side opening notably simplifies the processes of mounting and maintenance.

Available there are a wide range of accessories: anticondensing glass, antibreaking glass, alarm-tamper system, ventilation, high efficiency ventilation system for high temperatures, safety-lock system.

Suitable for installation of many cameras with different lenses.

DATASHEET

TECHNICAL DRAWINGS

indoor

outdoor

integrated wiper version

useful area


the values are in millimeters

TECHNICAL DATA

GENERAL

- Aluminium body
- UV-resistant technopolymer sunshield with wide range of adjustments.
- RAL 7035 polyester powder coating (light grey).
- Stainless steel bolts and screws.
- Side opening body with captive screws.
- Thermostatically controlled heater.
- Wide range of accessories.
- Supplied with instruction manual.
- According to RoHS compliance.

ELECTRICAL

- thermostatically controlled heater
available voltages: 230V, 110V, 24V, 12V
max. power: 30W
t on: +15°C t off: +22°C (+/- 3°C)
- thermostatically controlled blower
available voltages: 230V, 110V, 24V, 12V
max. power: 2W
t on: +37°C t off: +27°C (+/- 3°C)
- integrated wiper (optional):
input 230Vac 5W
input 24Vac 5W

MECHANICAL

- Usable internal space: 90x70mm (WxH).
- Usable length: 260mm.
- Glass window: Ø 75mm.
- IK10 protection with anti-breaking glass (optional).
- Weatherproof rating: IP66/67.
- Weatherproof rating with external ventilation system: IP44.
- Operating temperature with built-in heater: -20°C to +60°C.
- Weight: 2,9 Kg. (kit version).

ACCESSORIES

- VA300** anti-breaking glass
- VC300** anti-condensation glass
- RP300** double heater
- VI300** built-in blower set
- VE300** high efficiency external ventilation system
- TP300** anti-tamper switch set
- LC300** safety lock for locking the back side of the housing
- WP300** integrated wiper (only preassembled)
- WTP5** 5l. washer tank with integrated pump, 5m/11m/19m delivery head, (three models available)
- WTP25** 25l. washer tank with integrated pump, 5m/11m/19m delivery head, (three models available)

DATASHEET

RELATED PRODUCTS

- STS500** ceiling bracket
SP/A pole adaptor
SA/A corner adaptor
PA1 reinforced wall plate for poor consistency walls
PA1/SD reinforced wall plate with junction box for poor consistency walls

model	unit weight (Kg.)	package dimensions (cm.) WxHxL	gross weight (Kg.)
CRONO CLK300	2,9	21,0 x 18,8 x 50,0	3,20