

DATASHEET

CRL150

AISI 316L stainless steel housing with liquid/air cooling system

- AISI 316L stainless steel housing
- weatherproof rating: IP66
- double chamber for liquid/air cooling
- indicated for environments with high temperatures: up to +300°C (+600°C with special glass VHF150)
- AGF150 air filtering group (optional)
- wide range of accessories



**IP 66
standard**

AISI 316L stainless steel housing with liquid/air cooling system

The **CRL150** is a cylindrical weatherproof housing, entirely made of AISI 316L stainless steel; it is supplied with a double weatherproof chamber through which water, a cooling liquid, or gas (the choice has to be made taking into consideration the external temperature) can circulate and cool down the housing. This housing is particularly indicated for all installations in aggressive environments like: foundries, blast furnaces and high temperature areas.

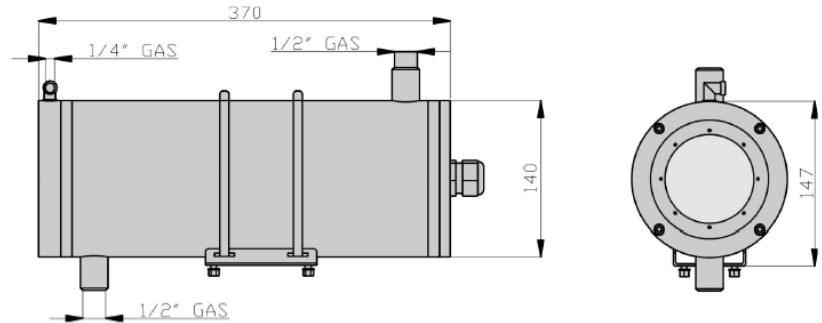
For a good performance, it is necessary to check the temperature of the area and the delivery temperature of the cooling liquid or fluid, then position the housing at the correct distance from the heat source. The housing is equipped with a front flange with air barrier, in order to reduce the heat in the front side and prevent the formation of dust.

The AGF150 filter group, that can be installed as optional equipment, allows a correct use of the air barrier: by means of a pressure gauge, it is possible to filter and regulate the air pressure.

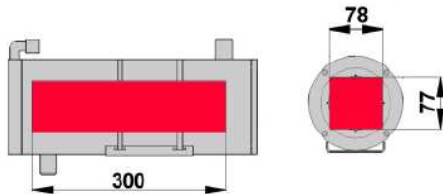
CRL150 housing is compatible with many cameras with different lenses.

DATASHEET

TECHNICAL DRAWINGS



useful internal length



the values are in millimeters

TECHNICAL DATA

GENERAL

- AISI316L stainless steel body
- stainless steel bolts and screws
- double chamber for liquid/air cooling
- front cover with air barrier (included)
- no.2 metal cable glands PG13,5
- wide range of accessories
- supplied with instruction manual
- according to RoHS compliance

MECHANICAL

- usable internal space: 78x77mm.(BxH) or Ø 95
- useful length: 300mm
- glass window: Ø 90mm.
- weatherproof rating: IP66
- indoor/outdoor installations
- max. operating temperature with standard glass: +300°C (+600°C with special glass VHF150)
- weight: 8 Kg. (weight of the housing, camera excluded)

ACCESSORIES

- VHF150/B** high temperature glass (up to +600°C)
- AL150/A** power supply 230/12Vdc 1,3A
- AL150/B** power supply 230/24Vac 500mA
- AGF150** air filtering group

Note:

for applications with thermal imaging cameras, **GE** (t. max + 80 °C) or **ZnSe** (t. max. + 200 °C) filters can be supplied on request.

RELATED PRODUCTS

- SP/C** AISI316L pole adaptor
- SA/C** AISI316L corner adaptor
- ST160** wall bracket and joint

DATASHEET

Table indicating the water flow rate that is required to maintain a max. temperature of +45°C inside the housing

T° ambient (°C)	Water flow rate (l/m.)	T° inside the housing (°C)
200	2	31
300	2,4	42
400	6,8	45

If the ambient temperature is not higher than +80°C, it is possible to use compressed air instead of the water.

The cooling rates are described here below:

Compressed air pressure (Bar)	Compressed air temperature (°C)	Compressed air flow rate (m3/h)	T° inside the housing (°C)
1	18	10	46
2	18	15	38

model	unit weight (Kg.)	package dimensions (cm.) WxHxL	gross weight (Kg.)
CRL150	8,0 tot.	19,0 x 15,0 x 46,0	8,40