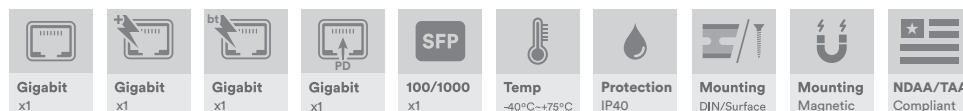


AMG260M SERIES INDUSTRIAL MINI MEDIA CONVERTER WITH OPTIONAL 30/60/90W POE OR PD



Industrial Ethernet Solutions

AMG's mini media converters provide a multirate 100Mb/Gigabit Ethernet uplink over fiber via the SFP port with optional 30W or 60/90W PoE or PD. Additional features are supported by user-configurable DIP switches for advanced functionality.



[AMG260M-1GBT-1S-P90]

/ OVERVIEW

Designed in an ultra compact DIN rail or wall mount housing, the AMG260M series miniature media converters are ideally suited for connecting equipment to Ethernet networks over long distances using all types of fiber through the integrated SFP port. Fiber connectivity is determined by separate SFP device selection, providing application and site flexibility.

Available in both non-PoE models as well as PoE models for IEEE802.3at 30W or IEEE802.3bt 60/90W they are suitable for powering the latest high powered PoE devices over a wide industrial operating temperature range. A PoE PD powered model is also available for installation in locations without any local power.

User selectable DIP switches allow for configuration of the intelligent link fault pass-through feature for remote end failure detection as well as remote device reset to allow end device reboots from the control room and 250M extended distance mode on the RJ45 port.

A wide range of models are available to suit all design requirements and are fully compatible with all of the AMG250/260 model range.

/ FEATURES

- Ultra compact size – ideal for confined spaces, including camera housings and roadside cabinets
- -40°C to +75°C temperature maintains performance in extreme conditions
- DIN rail or wall mountable - quick to install and remove for maintenance (an optional magnetic mount is also available)
- All SFP ports are multirate 100Mb/Gigabit – support single and multimode, single or dual fiber options up to 120Km
- DIP switch selection of link fault pass-through, remote device reset and extended distance modes
- Supports optional 15W, 30W, 60W and 90W PoE
- Auto-Negotiation (802.3u) – automatically determines the best connection speed
- Designed in the USA & UK. Manufactured in the United Kingdom
- AMG Lifetime Support Warranty

Specifications.

Standards.

| | |
|-------------|-------------------------|
| IEEE802.3i | 10Base-T |
| IEEE802.3u | 100Base-TX & 100Base-FX |
| IEEE802.3ab | 1000Base-T |
| IEEE802.3z | 1000Base-X |
| IEEE802.3af | 15W PoE |
| IEEE802.3at | 30W PoE+ |
| IEEE802.3bt | 60 & 90W PoE |
| IEEE802.3x | Flow Control |

| | |
|---------------|----------------|
| Jumbo Frames | 9.2Kbytes |
| Address Table | 2K MAC Entries |

Interface.

| | |
|----------------|--|
| LED Indicators | 1x Power SFP Link/Activity RJ45 Link/Activity PoE or PD Alarm |
| RJ45 Ports | 1x 10/100TX RJ45 or 1x 10/100/1000T(X) RJ45 with Auto MDI/MDI-X and 2 kV Isolation Protection |
| SFP Slot | 1x 100/1000FX SFP |
| Power | 1x 2-way Screw Terminal (Not Present On PD Models) |

Switches.

| | |
|------------------|---|
| Switch | 1x 4 Position DIP Switch |
| Switch Functions | Link Fault Pass-Through Mode Remote Reset Mode Extended Distance Mode |

Power.

| | |
|--------------------|--------------------------------------|
| Power Inputs | 1 |
| Operating Voltage: | |
| Non-PoE Models | 12-56V _{DC} |
| 30W PoE Models | 48-56V _{DC} |
| 90W PoE Models | 52-56V _{DC} |
| PoE PD Models | IEEE 802.3af Class 1 Device |
| Power Consumption | 2.5W Max (without PoE Load) |
| PSE Modes: | |
| 30W Models | Mode A |
| 60/90W Models | Mode A, Mode B |
| Protection | Reverse Polarity Overload Current |

Packaging.

| | |
|-----------------|---|
| Shipping Weight | 0.24kg / 0.53lb |
| Dimensions | (W x D x H) 155 x 145 x 50 mm 6.10 x 5.71 x 1.97 in |

Mechanical.

| | |
|-----------------------------|---|
| Housing | Anodised Aluminium |
| Dimensions: | (W x D x H) 31 x 57 x 57 mm 1.22 x 2.24 x 2.24 in |
| Excluding DIN & Wall Mounts | |
| IP Rating | IP40 |
| Installation | Wall Mount or DIN-Rail Optional Magnetic Mounts |
| Weight | 0.14kg / 0.31lb |

Environmental.

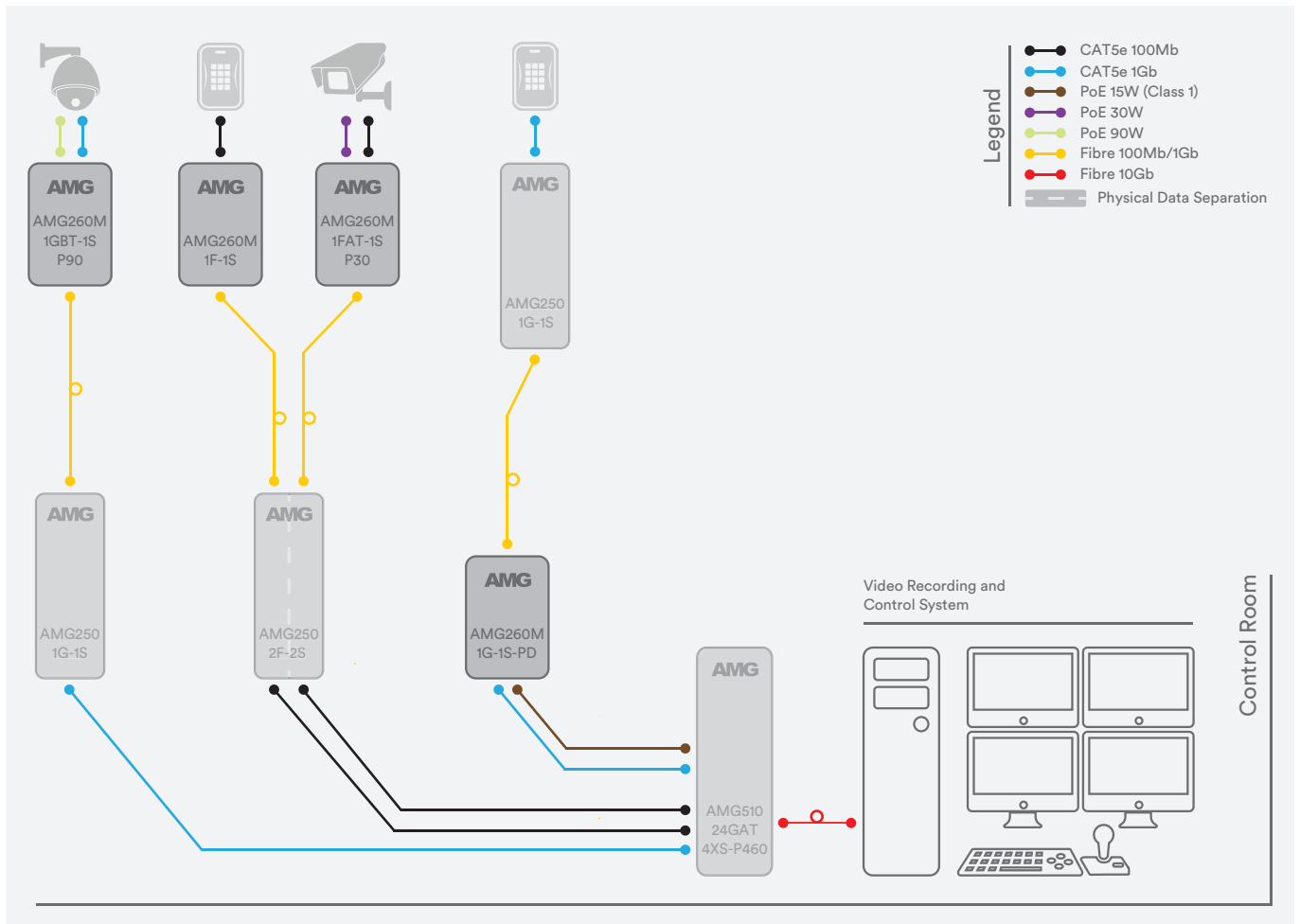
| | |
|------------------|--|
| Operating Temp. | -40 to +75°C / -40 to +167°F |
| Storage Temp. | -40 to +85°C / -40 to +185°F |
| Humidity | 5% to 95% (non-condensing) |
| MTBF | >500,000 hours |
| MTBF Standard | Telcordia SR-332 GF 30°C |
| Heat Dissipation | 7 BTU/h (Non-PoE & PD) 109 BTU/h (30W PoE) 314 BTU/h (90W PoE) |
| Cooling | Passive Cooling |
| Noise Level | 0 dBA |

Regulatory.

| | |
|---------------|---|
| Safety | IEC/EN 62368-1 |
| EMI | EN 55032 Class A CISPR 32 FCC Part 15B Class A |
| EMS | EN 61000-4-2 (ESD) EN 61000-4-3 (RS) EN 61000-4-4 (EFT) EN 61000-4-5 (Surge) EN 61000-4-6 (CS) EN 61000-4-8 (PFMF) |
| Shock | IEC 60068-2-27 |
| Free Fall | IEC 60068-2-32 |
| Vibration | IEC 60068-2-6 |
| Environmental | Reach, RoHS, WEEE |
| Traffic | NEMA TS2 |
| Supply Chain | NDA & TAA Compliant |

Designed to meet EN 50121-4

Application Diagram.



Part Numbers.

Single Channel Mini Non-PoE Media Converters (1+1)

| | |
|---------------|--|
| AMG260M-1F-1S | 1 × 10/100BaseT(x) RJ45, 1 × 100/1000BaseFx SFP, Mini |
| AMG260M-1G-1S | 1 × 10/100/1000BaseT(x) RJ45, 1 × 100/1000BaseFx SFP, Mini |

Single Channel Mini PoE Media Converters (1+1)

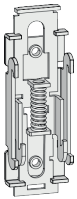
| | |
|---------------------|---|
| AMG260M-1FAT-1S-P30 | 1 × 10/100BaseT(x) RJ45 with 30W PoE+, 1 × 100/1000BaseFx SFP, Mini |
| AMG260M-1FBT-1S-P90 | 1 × 10/100BaseT(x) RJ45 with 60/90W PoE+, 1 × 100/1000BaseFx SFP, Mini |
| AMG260M-1GAT-1S-P30 | 1 × 10/100/1000BaseT(x) RJ45 with 30W PoE+, 1 × 100/1000BaseFx SFP, Mini |
| AMG260M-1GBT-1S-P90 | 1 × 10/100/1000BaseT(x) RJ45 with 60/90W PoE+, 1 × 100/1000BaseFx SFP, Mini |

Single Channel Mini PoE Powered PD Media Converters (1+1)

| | |
|------------------|--|
| AMG260M-1F-1S-PD | 1 × 10/100BaseT(x) RJ45 with PoE PD Class 1 Input, 1 × 100/1000BaseFx SFP, Mini |
| AMG260M-1G-1S-PD | 1 × 10/100/1000BaseT(x) RJ45 with PoE PD Class 1 Input, 1 × 100/1000BaseFx SFP, Mini |

Included Accessories.

DIN Rail Adapter
Wall Mount Adapter



Rear/Side/Bottom Mounted Metal DIN Rail Clip & Screws For DIN Rail Mounting AMG260M Series Products
Rear/Side/Bottom Mounted Wall Mounting Plate & Screws For Wall / Surface Mounting AMG260M Series Products



Optional Accessories.

AMGMNT-MAG-02
SFP Modules

2x Rear/Side/Bottom Mounted Magnets & Screws Kit For AMG260M Series, need to be ordered separately
100Mb & 1Gb Optical/Copper Modules see separate list, need to be ordered separately



Recommended PSUs.

Non-PoE Models

AMGPSU-W12-P25
AMGPSU-I12-P24

Plug Top Mounting Lite Industrial Grade PSU, 0 to +70°C, 12VDC, 25W, UK/EU/US Plug Heads Included
DIN-Rail Mount Industrial Grade PSU, -40 to +70°C, 12VDC, 24W*

PoE Models


AMGPSU-I48-P60
AMGPSU-I48-P120

DIN-Rail Mounting Industrial Grade PSU, -40 to +70°C, 43-56VDC, 60W*
DIN-Rail Mounting Industrial Grade PSU, -40 to +70°C, 48-53VDC, 120W**^

* Also available in kit form including mains line cord, DC cable and DIN rail. Order with -K at the end of the part code (e.g. AMGPSU-I48-P120-K).

^ Also available with no exposed mains terminals and direct IEC input kit. Order with -IEC at the end of the part code (e.g. AMGPSU-I48-P120-IEC).

In a continuing effort to improve and advance technology, product specifications are subject to change without notice. Please visit www.amgsystems.com for the latest product specifications.

Proud to be a British
Manufacturer 

AMG Systems Ltd. 4 Pioneer Way, Castleford, WF10 5QU, UK T: +44 (0) 1767 600 777 E: sales@amgsystems.com
AMG Systems Inc. 62 Spring Hill Road, Trumbull, CT 06611, USA T: +1-855-AMGPOE1 (855-264-7631) E: sales@amgsystems.com
D33639-05 amgsystems.com

