

iDS-2CD8C86G0-XZS(/5G) 8 MP DeepinView Multi-Lens Bullet Camera

DeepinView^{series}

DarkFighter



Hikvision has been dedicated to develop products with security since established. Hikvision always follows security by design principle and has adopted many methods of security technologies into our product development lifecycle, including terminal security, data security, application security, network security, and privacy protection. In the meantime, the security technologies used by Hikvision are all in compliance with local applicable laws and safety regulations. These security measures could enhance product's cyber security defense capability and protect your devices as well as your data from malicious cyber attacks.

- Adopt dual-channel design so you can get details in channel 1 and panorama in channel 2
- High quality imaging with 8 MP resolution in channel 1 and 4 MP resolution in channel 2
- Excellent low-light performance via DarkFighter technology
- Clear imaging against strong back light due to 120 dB WDR technology
- Efficient H.265+ compression technology to save bandwidth and storage
- Face detection supports up to 120 faces per frame

▪ Specification

Camera	
Image Sensor	Channel 1: 1/1.2" Progressive Scan CMOS Channel 2: 1/1.8" Progressive Scan CMOS
Min. Illumination	Channel 1: Color: 0.0005 Lux @ (F1.2, AGC ON) B/W: 0.0001 Lux @ (F1.2, AGC ON), 0 Lux with IR Channel 2: Color: 0.0003 Lux @ (F1.0, AGC ON) B/W: 0.0001 Lux @ (F1.0, AGC ON), 0 Lux with IR
Max. Resolution	Channel 1: 3840 × 2160, Channel 2: 2560 × 1440
Shutter Time	1/25 s to 1/100,000 s
Day & Night	Channel 1: IR cut filter Channel 2: No
Lens	
Lens Type	Channel 1: varifocal lens, motorized lens, 10 to 50 mm; Channel 2: fixed focal lens, 4 mm
Aperture	Channel 1: 10 to 50 mm: Constant F1.6 throughout the zoom range; Channel 2: 4 mm: F1.0
Focus	Channel 1: Auto, Semi-auto, Manual
Focal Length & FOV	Channel 1: 11 to 50 mm @F1.6, horizontal FOV 36° to 13.1°, vertical FOV: 20.3° to 7.3°, diagonal FOV 41° to 14.9° Channel 2: 4 mm @F1.0, horizontal FOV: 89°, vertical FOV: 46.5°, diagonal FOV: 105°
Lens Mount	Channel 1: CS Channel 2: M16
Iris Type	Channel 1: DC drive; Channel 2: Fixed
Illuminator	
Supplement Light Type	Hybrid (IR and White Light)
Smart Supplement Light	Yes
IR Wavelength	750 nm
Supplement Light Range	Channel 1: Face: 20 m, normal video security: 80 m Channel 2: Normal video security: 30 m
Video	
Main Stream	Channel 1: 50 Hz: 25 fps (3840 × 2160, 3072 × 1728, 2560 × 1440, 1920 × 1080, 1280 × 720) 60 Hz: 30 fps (3840 × 2160, 3072 × 1728, 2560 × 1440, 1920 × 1080, 1280 × 720) Channel 2: 50 Hz: 25 fps (2560 × 1440, 1920 × 1080, 1280 × 720) 60 Hz: 30 fps (2560 × 1440, 1920 × 1080, 1280 × 720)

Sub-Stream	Channel 1: 50 Hz: 25 fps (704 × 576, 640 × 480) 60 Hz: 30 fps (704 × 480, 640 × 480) Channel 2: 50 Hz: 25 fps (704 × 576, 640 × 480) 60 Hz: 30 fps (704 × 480, 640 × 480)
Third Stream	Channel 1: 50 Hz: 25 fps (1920 × 1080, 1280 × 720, 704 × 576, 640 × 480) 60 Hz: 30 fps (1920 × 1080, 1280 × 720, 704 × 480, 640 × 480) Channel 2: 50 Hz: 25 fps (1920 × 1080, 1280 × 720, 704 × 576, 640 × 480) 60 Hz: 30 fps (1920 × 1080, 1280 × 720, 704 × 480, 640 × 480)
Fourth Stream	Channel 1: 50 Hz: 25 fps (1920 × 1080, 1280 × 720, 704 × 576, 640 × 480) 60 Hz: 30 fps (1920 × 1080, 1280 × 720, 704 × 480, 640 × 480) Channel 2: 50 Hz: 25 fps (1920 × 1080, 1280 × 720, 704 × 576, 640 × 480) 60 Hz: 30 fps (1920 × 1080, 1280 × 720, 704 × 480, 640 × 480)
Fifth Stream	Channel 1: 50 Hz: 25 fps (1920 × 1080, 1280 × 720, 704 × 576, 640 × 480) 60 Hz: 30 fps (1920 × 1080, 1280 × 720, 704 × 480, 640 × 480) Channel 2: 50 Hz: 25 fps (1920 × 1080, 1280 × 720, 704 × 576, 640 × 480) 60 Hz: 30 fps (1920 × 1080, 1280 × 720, 704 × 480, 640 × 480)
Video Compression	Main stream: H.265+/H.265/H.264+/H.264 Sub-stream: H.265/H.264/MJPEG Third stream: H.265/H.264 Fourth stream: H.265/H.264/MJPEG Fifth stream: H.265/H.264/MJPEG
Video Bit Rate	32 Kbps to 16 Mbps
H.264 Type	BasLine Profile/Main Profile/High Profile
H.265 Type	Main Profile
Bit Rate Control	CBR/VBR
Scalable Video Coding (SVC)	H.265 and H.264 support
Region of Interest (ROI)	4 fixed regions for each stream
Target Cropping	Yes
Audio	
Environment Noise Filtering	Yes
Audio Sampling Rate	8 kHz/16 kHz/32 kHz/44.1 kHz/48 kHz
Audio Compression	G.711/G.722.1/G.726/MP2L2/PCM/AAC
Audio Bit Rate	64 Kbps (G.711)/16 Kbps (G.722.1)/16 Kbps (G.726)/32 to 192 Kbps (MP2L2)/16 to 64 Kbps (AAC)
Audio Type	Mono sound
Network	
Simultaneous Live View	Up to 20 channels
API	Open Network Video Interface (Profile S, Profile G, Profile T), ISAPI, SDK, ISUP

Protocols	TCP/IP, ICMP, HTTP, HTTPS, FTP, DHCP, DNS, DDNS, RTP, RTSP, RTCP, PPPoE, NTP, UPnP, SMTP, SNMP, IGMP, 802.1X, QoS, IPv6, UDP, Bonjour, SSL/TLS
User/Host	Up to 32 users. 3 user levels: administrator, operator and user
Client	iVMS-4200, Hik-Connect
Web Browser	Plug-in required live view: IE 8+, Chrome 41.0 to 44, Firefox 30.0 to 51, Safari 8.0 to 11 Plug-in free live view: Chrome 45.0+, Firefox 52.0+
Mobile Communication	
Standard	/5G model: 5G NR/LTE-FDD/LTE-TDD
Frequency	/5G model: 5G NR: n41/n77/n78/n79 LTE-FDD: B1/B3/B5/B8 LTE-TDD: B38/39/B40/B41
SIM Card Type	/5G model: Micro SIM
Image	
Wide Dynamic Range (WDR)	120 dB
Privacy Mask	4 programmable polygon privacy masks
Day/Night Switch	Day,Night,Auto,Schedule,Alarm Trigger
Picture Overlay	LOGO picture can be overlaid on video with 128 × 128 24 bit bmp format
Image Enhancement	BLC, HLC, 3D DNR, Defog, EIS
Image Parameters Switch	Yes
Image Settings	Saturation, brightness, contrast, sharpness, AGC, white balance adjustable by client software or web browser
Interface	
Alarm	3 inputs, 2 outputs (max. 24 VAC or 24 VDC, 1 A)
Ethernet Interface	1 RJ45 10 M/100 M/1000 M self-adaptive Ethernet port
Audio	2 inputs (line in), 3.5 mm connector, max. input amplitude: 3.3 Vpp, input impedance: 4.7 K Ω , interface type: non-equilibrium; 1 output (line out), 3.5 mm connector, max. output amplitude: 3.3 Vpp, output impedance: 600 Ω , interface type: non-equilibrium
Built-in Microphone	Yes, 2 built-in microphones
RS-485	1 RS-485 (half duplex, HIKVISION, Pelco-P, Pelco-D, self-adaptive)
Built-in Speaker	Yes
Video Output	1 Vp-p Composite Output (For debugging only)
On-Board Storage	Built-in memory card slot, support microSD/microSDHC/microSDXC card, up to 256 GB
Reset Key	Yes
Power Output	12 VDC, max. 200 mA (supported by all power supply types)
Event	
Basic Event	Motion detection,video tampering alarm,network disconnected,IP address conflict,illegal login,HDD full
Linkage	Upload to FTP/NAS/memory card,notify surveillance center,send email,trigger alarm output,trigger recording,trigger capture
Smart Event	Line crossing detection, intrusion detection, region entrance detection, region exiting detection, unattended baggage detection, object removal detection, scene change detection, audio exception detection, defocus detection

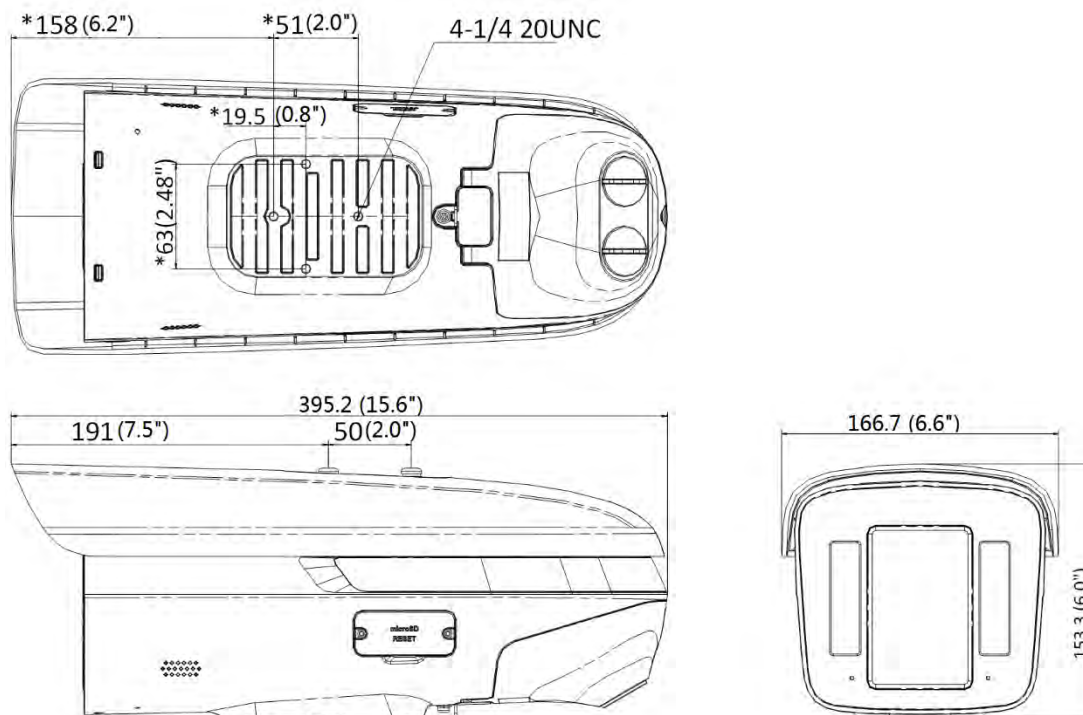
Deep Learning Function	
Face Comparison	Up to 10 face libraries. 150,000 faces for each library. 150,000 faces in total. , Recognizes face identity via face modeling, grading and comparing to those in face library, Supports face library encryption
Multi-target-type Detection	Supports simultaneous detection of human body, face, and non-motor vehicle Gets 8 face features and 13 human body features
Face Capture	Face detection performance: Detects up to 120 faces simultaneously Face detection angle: Swing left and right from -60° to 60°, tilt up and down from -30° to 30° Upload face with background (1080p/720p) and closed-up face pictures
People Counting	Yes
General	
Power	24 VAC ± 20%, 2.42 A, max. 42.3 W, two-core terminal block
Heater	Yes
General Function	One key reset, heartbeat, mirror, password protection, privacy mask, watermark, IP address filter, flash log, conreol time out
Storage Conditions	-30 °C to 60 °C (-22 °F to 140 °F). Humidity 95% or less (non-condensing)
Startup and Operating Conditions	-30 °C to 60 °C (-22 °F to 140 °F). Humidity 95% or less (non-condensing)
Material	Metal & Plastic
Dimension	395.2 mm × 166.7 mm × 153.3 mm (15.6" × 6.6" × 6.0")
Package Dimension	518 mm × 356 mm × 260 mm (20.4" × 14.0" × 10.2")
Weight	Approx. 4 kg (8.8 lb.)
With Package Weight	Approx. 6.495 kg (14.3 lb.)
Approval	
Protection	IP66: IEC 60529-2013

▪ Available Model

iDS-2CD8C86G0-XZS(11-40/4)

iDS-2CD8C86G0-XZS/5G(10-50/4)





▪ **Dimension**



Unit: mm(inch)

▪ **Accessory**

▪ **Optional**

DS-1269ZJ-P Pendant Mount	DS-1214ZJ-P Horizontal pole mount	DS-2204ZJ-P Wall Mount	DS-2201ZJ-WA Vertical pole mount
			

Headquarters

No.555 Qianmo Road, Binjiang District,
Hangzhou 310051, China
T +86-571-8807-5998
www.hikvision.com



Follow us on social media to get the latest product and solution information.

