

MPC-52A0010M0A

SKU: 233051



1/3" HD Camera, 1920x1080, 10x AF Zoom
5,1-51mm, T-WDR, HD-SDI, EX-SDI, TVI, Composite

Main Features

1/3" 2,0 Megapixel Panasonic CMOS-Sensor
Resolution max. 1920x1080, 1080p@60/50fps
Optical 10x Auto Focus Zoom, 5,1~51mm
Multisignal Output HD-SDI, EX-SDI, TVI, Composite
Real time True WDR
Digital Noise Reduction(2D+3D)

Digital Image Stabilization
Privacy Masking, Defog
Slow Speed Shutter
Compact Housing
Power Supply 12VDC

Specifications

Camera:	
Camera type	Zoom Camera
Sensor size	1/3"
Imager	CMOS, Panasonic MN34422
System	True Day&Night
Sensitivity	0,5 Lux, at F1.6,50 IRE
Low Speed Shutter	yes
Low speed shutter	automatic
Manual electronic shutter (MES)	1/25 ~ 1/30.000sec
Automatic electronic shutter (ESC)	1/25 ~ 1/30.000sec.
Wide Dynamic Range (WDR)	WDR 120dB, Real Time WDR 25/30fps

MPC-52A0010M0A

Continuation of the specifications

Flickerless function	yes
Backlight Compensation	BLC,HLC
Day&Night switch	ICR
Day&Night mode	auto,day,night,extern (Sensor)
White balance	AUTO,one push>manual,indoor,outdoor
Signal-to-noise ratio	50dB
Video:	
Signal format	HD-TVI @ 2MP,EX-SDI (270 Mbps),HD-SDI (1.485 Gbps),Composite (FBAS)
Horizontal resolution	700 TVL
Frame rate	50/60fps @ 1920x1080p,25/30fps @ 1920x1080p,50/60fps @ 1280x720p,25/30fps @ 1280x720p
Synchronization	internal
Lens:	
Lens Type	auto focus zoom
Zoom Factor	10x
Focal Length	5,1 - 51 mm
Digital Zoom	yes
MOD (Minimum Object Distance)	0,1 m
Aperture range (F)	F1.6~F1.8
Iris Control	DC
Resolution Pixels	1920x1080,1280x720
Vertical Angle of View	31 - 4,0°
Horizontal Angle of View	54 - 4,9°
Video standard	PAL/NTSC
DORI:	
Detect (25px/m)	83,2 - 816 m
Observe (62 px/m)	33,2 - 326 m
Recognize (125 px/m)	16,4 - 164 m
Identify (250 px/m)	8,1 - 82 m
Functions:	
Motion Detector	yes
Analysis functions	motion detection
OSD function control	OSD camera setup
Menu languages	English,Japanese,Chinese
Privacy zone masking	Areas-ON/OFF switchable
Mirror function	V flip,H-flip,H/V flip
Digital Noise Reduction	yes
Interfaces / Inputs/ Outputs:	
Video outputs	HD-TVI,HD-SDI,EX-SDI,composite (CVBS)
External connectors	1x SDI Signal (BNC),1x HD/SD Analog Signal (BNC),12VDC power input,RS-485,external day&night switching,alarm output

MPC-52A0010M0A

Continuation of the specifications

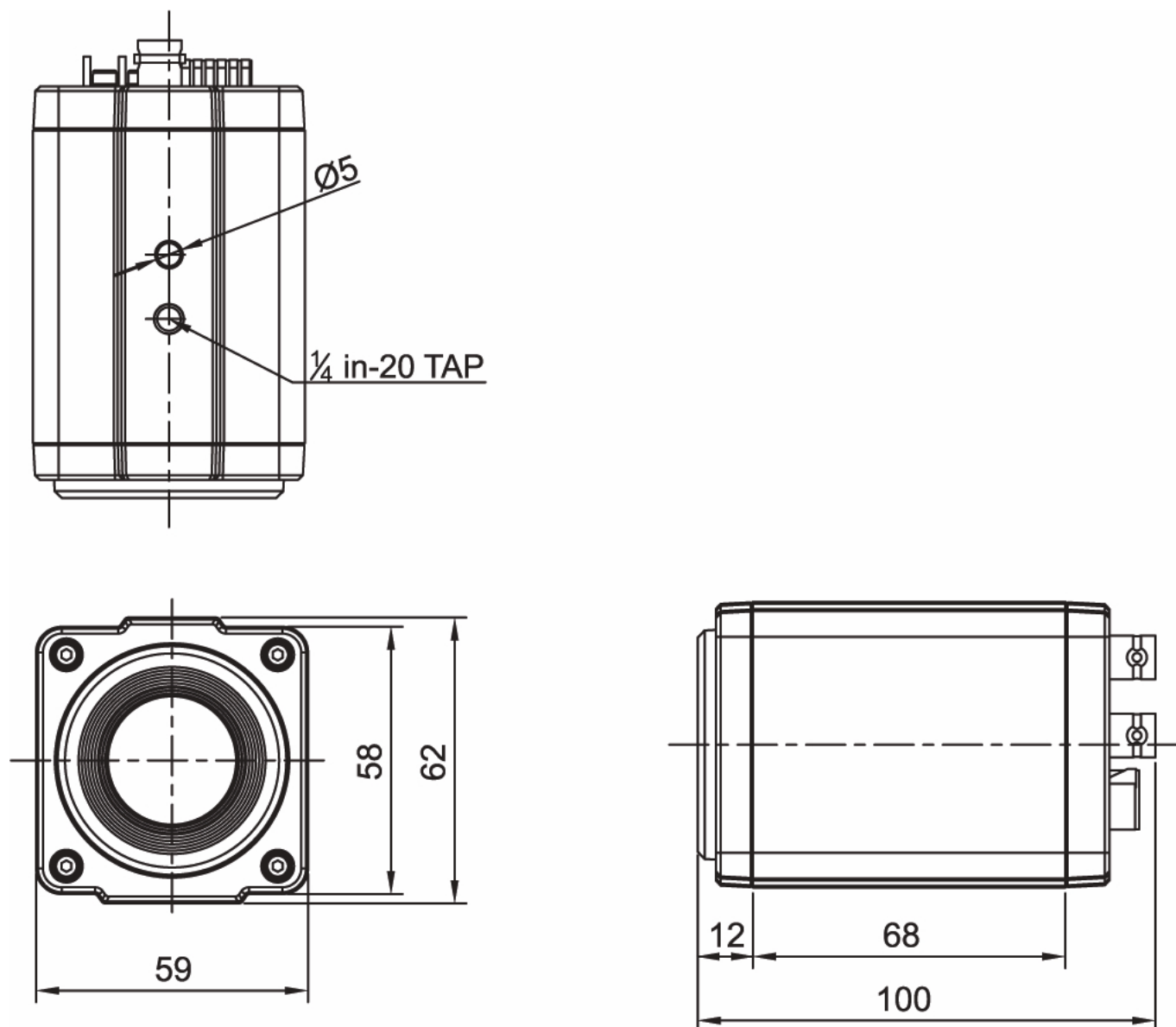
Alarm outputs	1
Serial interfaces	RS-485, Coaxitron (HD Protocol)
Serial interfaces protocols	Pelco P, Pelco D, UTC (HD-Signal Format)
General:	
Dimensions (HxWxD)	62x59x100mm
Weight	420g
Illumination	no
Color (housing)	silbermetallic, black
Housing	indoor
Housing material	aluminium
Integrated wall mount	no
Power consumption	3W
Supply voltage	12VDC
Operating temperature	-10°C ~ +50°C
Text display	supplied
Vandal proof	no
Parts supplied:	
Parts supplied	manuals

Optional Accessory

SKU	Name	Description
225085	MAM-5DC1004M0A	Distributor, 1x BNC Input HD-TVI, CVI, AHD, CVBS, 4x BNC Output
220299	MAM-5MM1001M0A	Converter, HD-CVI, HD-TVI, AHD, Composite to HDMI, VGA, Composite, Indoor
225135	MAM-5MM2001M0A	Converter, 4K HD-TVI, HD-CVI, AHD, auf HDMI, Indoor
218653	PS12DC-11	Plug-in Power Supply Unit, 100-240VAC/12VDC (1,0A), regulated, with DC Plug
212984	TVA-1201TRA	UTP Transmitter+Receiver, UTP, BNC, 250m, Indoor, HD TVI CVI, AHD, CVBS, Active, 12V
212985	TVA-1201TRP	UTP Transmitter+Receiver, UTP, BNC, 150m, Indoor, HD TVI CVI, AHD, CVBS, Passive
219504	WD-30	Wall Mount Bracket with Ball Joint, 1/4" Camera Fixing Screw, Pantone Cool Grey 1C

MPC-52A0010M0A

Technical Drawing



Maße / Dimensions: mm



eneo is a registered trademark of
VIDEOR E. Hartig GmbH
Carl-Zeiss-Straße 8
63322 Rödermark, Deutschland

Phone: +49 6074 - 888 - 300
Fax: +49 6074 - 888 - 100
E-Mail: info@eneo-security.com
Web: www.eneo-security.com

Stay informed and subscribe
to the eneo newsletter

