

SHP-1560FW

In-ceiling Housing



FC | UL LISTED | CE | ENEC

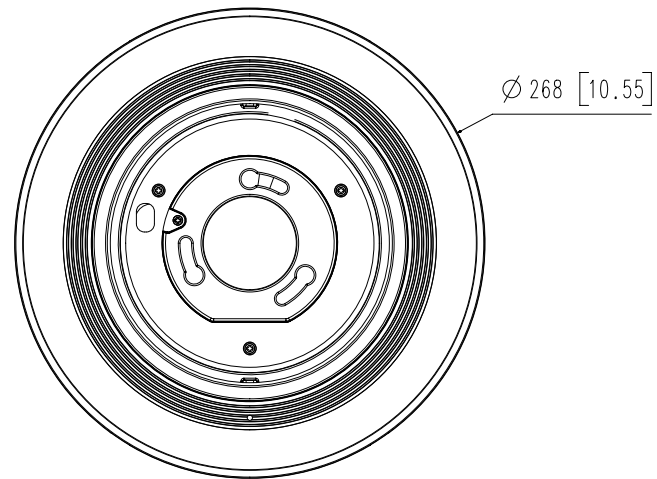
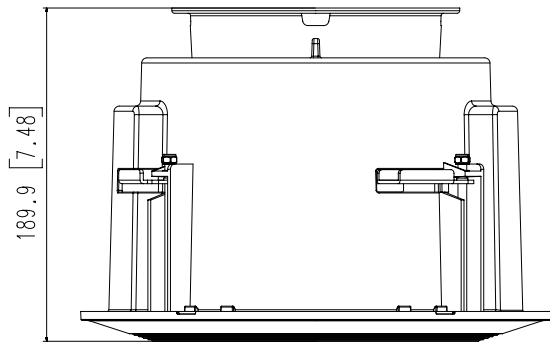
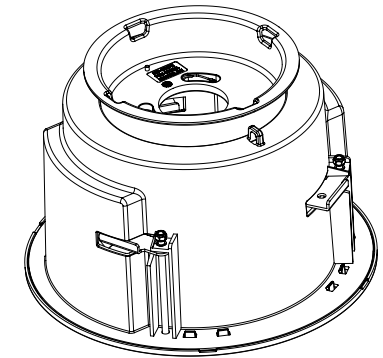
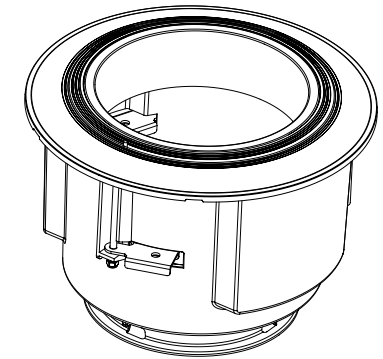
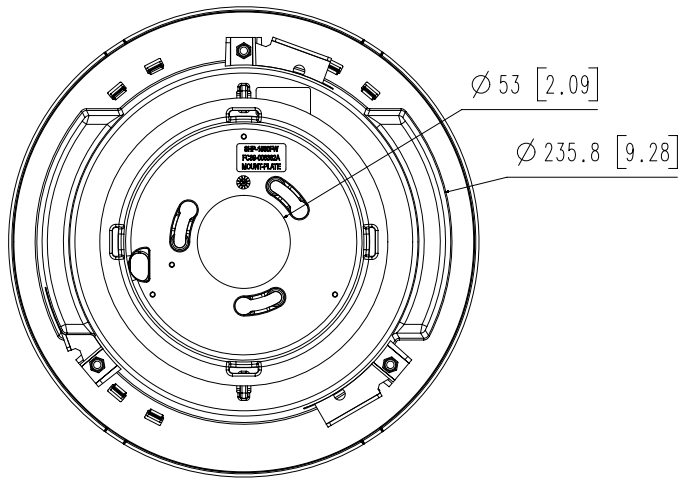
Key Features

- Material : Plastic
- Dimensions : Ø268 x 316mm (0.55" x 12.44")
- Weight : 1,400g (3.09 lb)
- Color : White
- Supported products : XNP-9250, XNP-8250, XNP-6400, QNP-6250R, QNP-6320R
- For further compatible models, please check out Wisenet Toolbox Plus

Mechanical

Color	White
Material	Enclosure : Aluminum + PC Top cover : Polycarbonate(PC)
RAL code	RAL9003
Product dimensions / weight	Ø268x190mm (Ø10.55x7.48") / 0.9kg(1.98 lb)
Tile thickness	3~70mm
Supported products	XNP-9250/8250/6400/9250R/8250R/6400R ※ For further compatible models, please visit our website or use Toolbox

- The latest product information / specification can be found at hanwha-security.com
- Design and specifications are subject to change without notice.
- Wisenet is the proprietary brand of Hanwha Techwin, formerly known as Samsung Techwin.



3		
2		
1	SHP-1560FW	'21.04.27
No.	MODEL NAME	DATE
Unit:mm[inch]		SCALE:1/1
Hanwha Techwin		