

# NXFIGRU2

AIR FILTERING GROUP



## TECHNICAL DATA

### MECHANICAL

3 filters in cascade (25µm, 5µm, 0.1µm)

Dimensions: 159x208x76mm (6.3x8.2x3in)

Female input and output: 1/2" GAS

Input pressure: 16bar max

Output pressure: 4bar max

Recommended minimum output pressure (air barrier Videotec): 2bar

Filtering: 0.1µm

Unit weight: 0.8kg (1.8lb)

Operating temperature: +50°C (122°F) max

## DESCRIPTION

Air filtering group, to be coupled with ONXAB2, purifies the air drawn from a compressor.

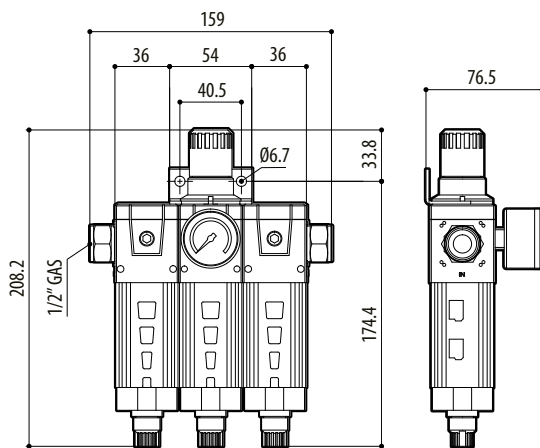
## PART NUMBER

NXFIGRU2 Filtering group for compressed air cleaning

## PACKAGE

Model Number	Weight	Dimensions (WxHxL)	Master carton
NXFIGRU2	1.3kg (2.8lb)	-	-

## TECHNICAL DRAWINGS



NXFIGRU2