

# XNP-6371RH

2M H.265 NW 37x IR PTZ Camera

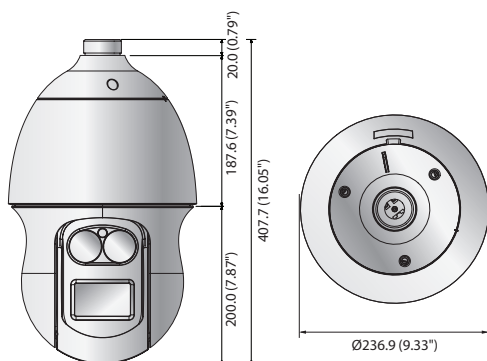


## Key Features

- Max. 2megapixel (1920 x 1080) resolution
- 6~ 222mm (Optical 37x) lens
- 0.01Lux@F1.5 (Color), 0Lux (B/W, IR LED on)
- Max. IR viewable length : 350m (1,148ft)
- Day & Night (ICR), WDR (150dB)
- DIS & Shock detection with built-in gyro sensor
- Intelligent Video / Audio Analytics, Defog
- H.265, H.264, MJPEG codec support
- Multiple streaming, WiseStream II support
- MicroSD / SDHC / SDXC memory 2 slots (Up to 512 GB)
- IP66, IK10

## Dimensions

Unit : mm (inch)



## Accessories (Optional)



**XNP-6371RH**

<b>VIDEO</b>	
Imaging Device	1 / 2" 2MP CMOS
Effective Pixels	1937 (H) X 1097 (V)
Min. Illumination	Color : 0.01 lux ( F1.5, 1/30sec), BW : 0 Lux (IR LED)
Video Out	CVBS : 1.0 Vp-p / 75Ω composite, 720x480 (N), 720x576 (P), for installation
<b>LENS</b>	
Focal Length (Zoom Ratio)	6~222mm (37x) zoom
Max. Aperture Ratio	F1.5(Wide)~F4.6(Tele)
Angular Field of View	H : 59.3°(Wide) ~ 1.9°(Tele) / V : 35.8°(Wide)~1.1°(Tele)
Min. Object Distance	1.5m (3.28ft)
Focus Control	OneShot AF
Lens Type	DC auto iris
<b>PAN / TILT / ROTATE</b>	
Pan Range	360° Endless
Pan Speed	Preset : 400° / sec, Manual : 0.024° / sec ~ 250° / sec
Tilt Range	190°(-5° ~ 185°)
Tilt Speed	Preset : 300°/sec, Manual : 0.024° / sec ~ 250° / sec
Sequence	Preset (300ea), Swing, Group (6ea), Trace, Tour, Auto Run, Schedule
Preset Accuracy	±0.2°
Azimuth	Support
Auto Tracking	Support
<b>OPERATIONAL</b>	
IR Viewable Length	350m (1,148.29ft)
Camera Title	Displayed up to 85 characters
Day & Night	Auto (ICR)
Backlight Compensation	BLC, HLC, WDR, SDR
Wide Dynamic Range	150dB
Digital Noise Reduction	SSNR V
Digital Image Stabilization	Support (built-in gyro sensor)
Defog	Support
Motion Detection	8ea, rectangular zones
Privacy Masking	24ea, rectangular zones - Color : Grey / Green / Red / Blue / Black / White - Mosaic
Gain Control	Low / Middle / High
White Balance	ATW / AWC / Manual / Indoor / Outdoor
Electronic Shutter Speed	Minimum / Maximum / Anti flicker ( 2 ~ 1 / 12,000 sec )
Video Rotation	Flip, Mirror
Analytics	Defocus detection, Directional detection, Fog detection, Face detection, Motion detection, Digital auto tracking, Appear / Disappear, Enter / Exit, Loitering, Tampering, Virtual line, Audio detection, Sound classification, Shock detection
Serial Interface	RS-485 (Samsung-T, Pelco-D / P, Panasonic, Bosch, AD, GE, Vicon, Honeywell)
Alarm I/O	Input 4ea / Output 2ea
Alarm Triggers	Analytics, Network disconnect, Alarm input
Alarm events	File upload via FTP and e-mail Notification via e-mail SD/SDHC/SDXC or NAS recording at event triggers Alarm output PTZ Preset
Audio In	Selectable(mic in / line in / built-in mic) Supply voltage : 2.5VDC(4mA), Input impedance : 2K Ohm
Audio out	Line out, Max.output level : 1Vrms

**XNP-6371RH**

<b>NETWORK</b>	
Ethernet	RJ-45 (10/100BASE-T) / SFP (Optional)
Video Compression	H.265 / H.264 : Main / Baseline / High, MJPEG
Resolution	1920 x 1080, 1280 x 1024, 1280 x 960, 1280 x 720, 1024 x 768, 800 x 600, 800 x 448, 720 x 576, 720 x 480, 640 x 480, 640 x 360, 320 x 240
Max. Framerate	H.265 / H.264: Max. 60fps / 50fps (60Hz / 50Hz) MJPEG : Max. 30fps / 25fps (60Hz / 50Hz)
Smart Codec	Manual (5ea area), WiseStream II
Video Quality Adjustment	H.264 / H.265 : Target bitrate level control MJPEG : Target bitrate level control
Bitrate Control	H.264 / H.265 : CBR or VBR MJPEG : VBR
Streaming	Unicast (20 users) / Multicast Multiple streaming (Up to 10 profiles)
Audio Compression	G.711 u-law / G.726 Selectable G.726 (ADPCM) 8KHz, G.711 8KHz G.726 : 16Kbps, 24Kbps, 32Kbps, 40Kbps AAC-LC : 48Kbps at 16KHz
Protocol	IPv4, IPv6, TCP/IP, UDP/IP, RTP(UDP), RTP (TCP), RTCP, RTSP, NTP, HTTP, HTTPS, SSL/TLS, DHCP, FTP, SMTP, ICMP, IGMP, SNMPv1/v2c/v3(MIB-2), ARP, DNS, DDNS, QoS, PIM-SM, UPnP, Bonjour
Security	HTTPS (SSL) login authentication, Digest login authentication, IP address filtering, User access log, 802.1X authentication (EAP-TLS, EAP-LEAP)
Edge Storage	Micro SD/SDHC/SDXC 1slot 256GB
Application Programming Interface	ONVIF Profile S/G, SUNAPI(HTTP API), Wisenet open platform
Webpage Language	English, Korean, Chinese, French, Italian, Spanish, German, Japanese, Russian, Swedish, Portuguese, Czech, Polish, Turkish, Dutch, Hungarian, Greek
Web Viewer	Supported OS : Windows 7, 8.1, 10, Mac OS X 10.10, 10.11, 10.12 Recommended Browser : Google Chrome Supported Browser : MS Explorer11, MS Edge, Mozilla Firefox (Window 64bit only), Apple Safari (Mac OS X only)
Memory	1024MB RAM, 256MB Flash
<b>ENVIRONMENTAL</b>	
Operating Temperature / Humidity	-50°C~+55°C(-122°F~+131°F) / Less than 90% RH
Storage Temperature / Humidity	-50°C~+60°C(-122°F~+140°F) / Less than 90% RH
Certification	IP66, IK10
<b>ELECTRICAL</b>	
Input Voltage	24VAC
Power Consumption	24VAC : Max 90W
<b>MECHANICAL</b>	
Color / Material	Body : Ivory / Plastic, Head : Black / Plastic
Product dimensions / weight	Ø236.9 x 407.7mm (9.33x16.05"), 7.1Kg (15.65 lb)
Hanging mount (Dome)	SBP-303HF (SFP)

\* The latest product information / specification can be found at [hanwha-security.com](http://hanwha-security.com)

\* Design and specifications are subject to change without notice.

\* Wisenet is the proprietary brand of **Hanwha Techwin**.