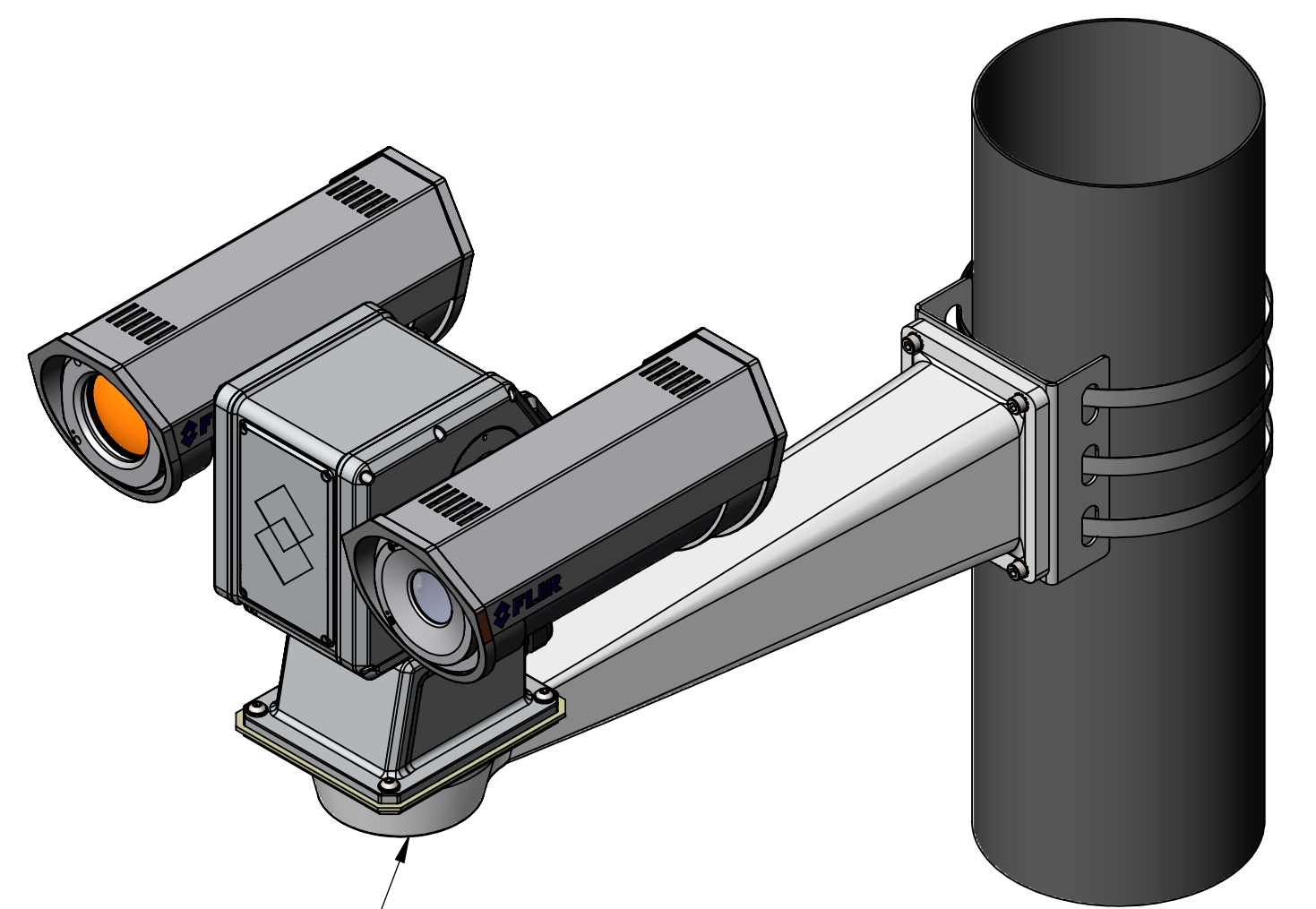
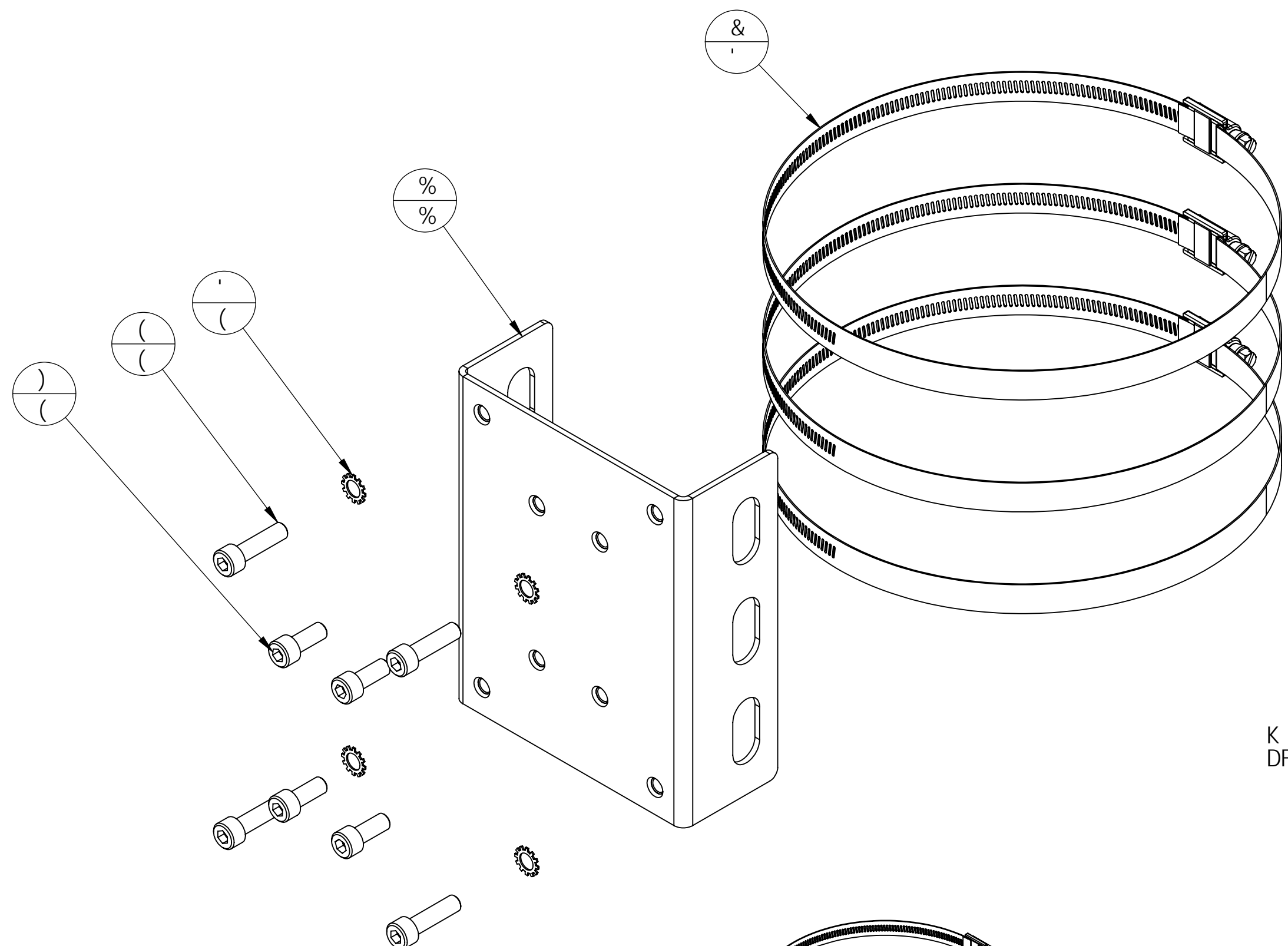
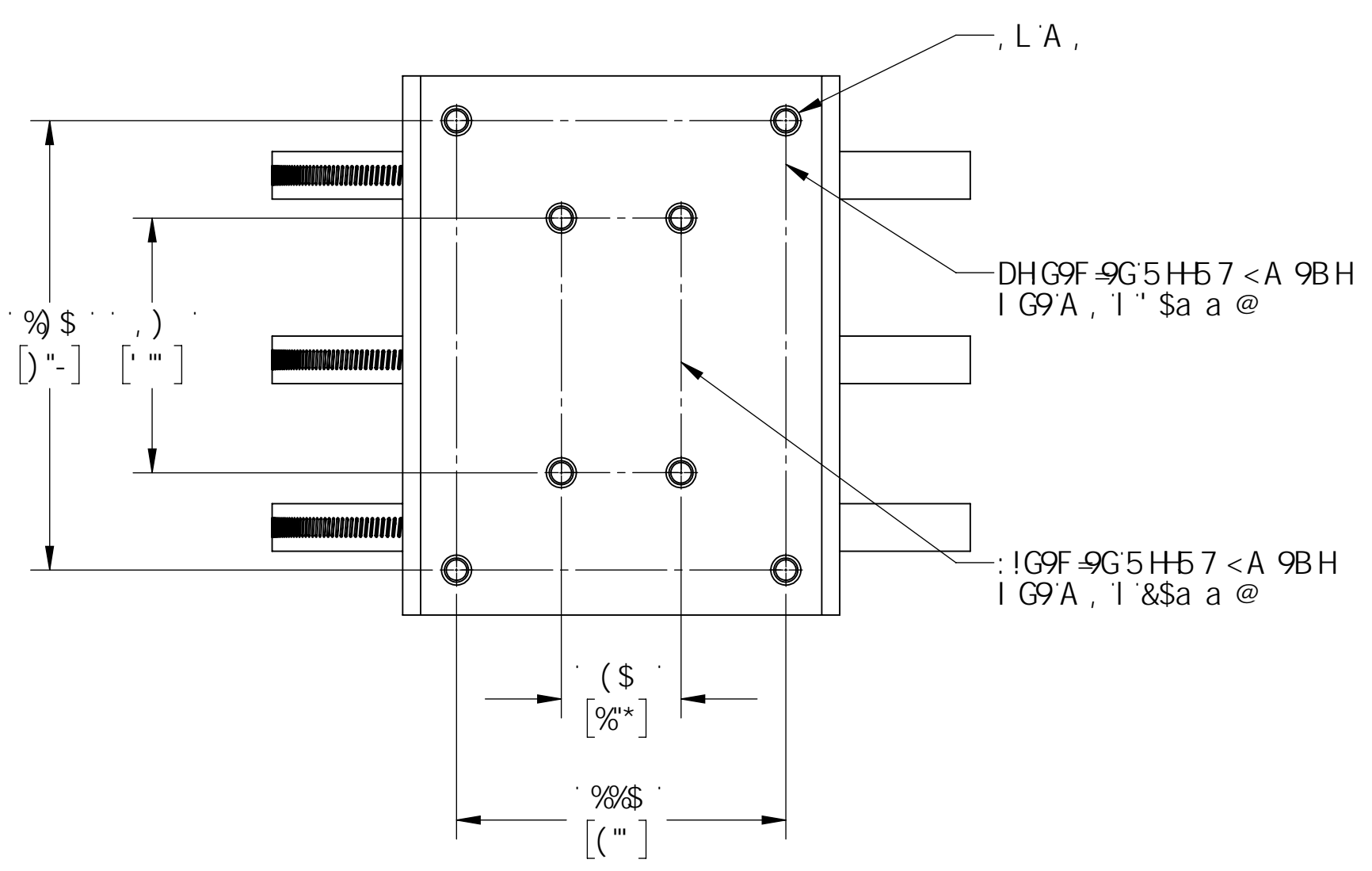


**BC HG I B@G G C K 9FK -G9 GD97 ÷ -98**

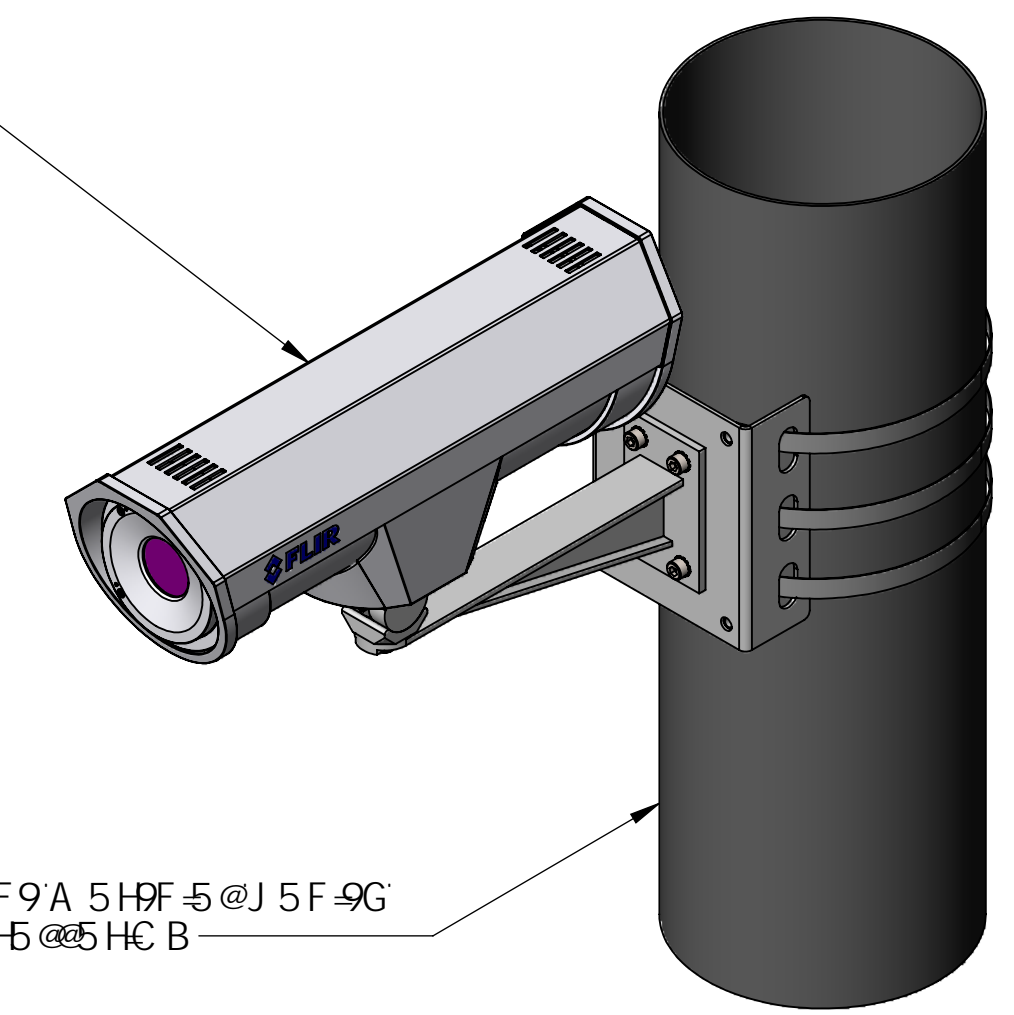
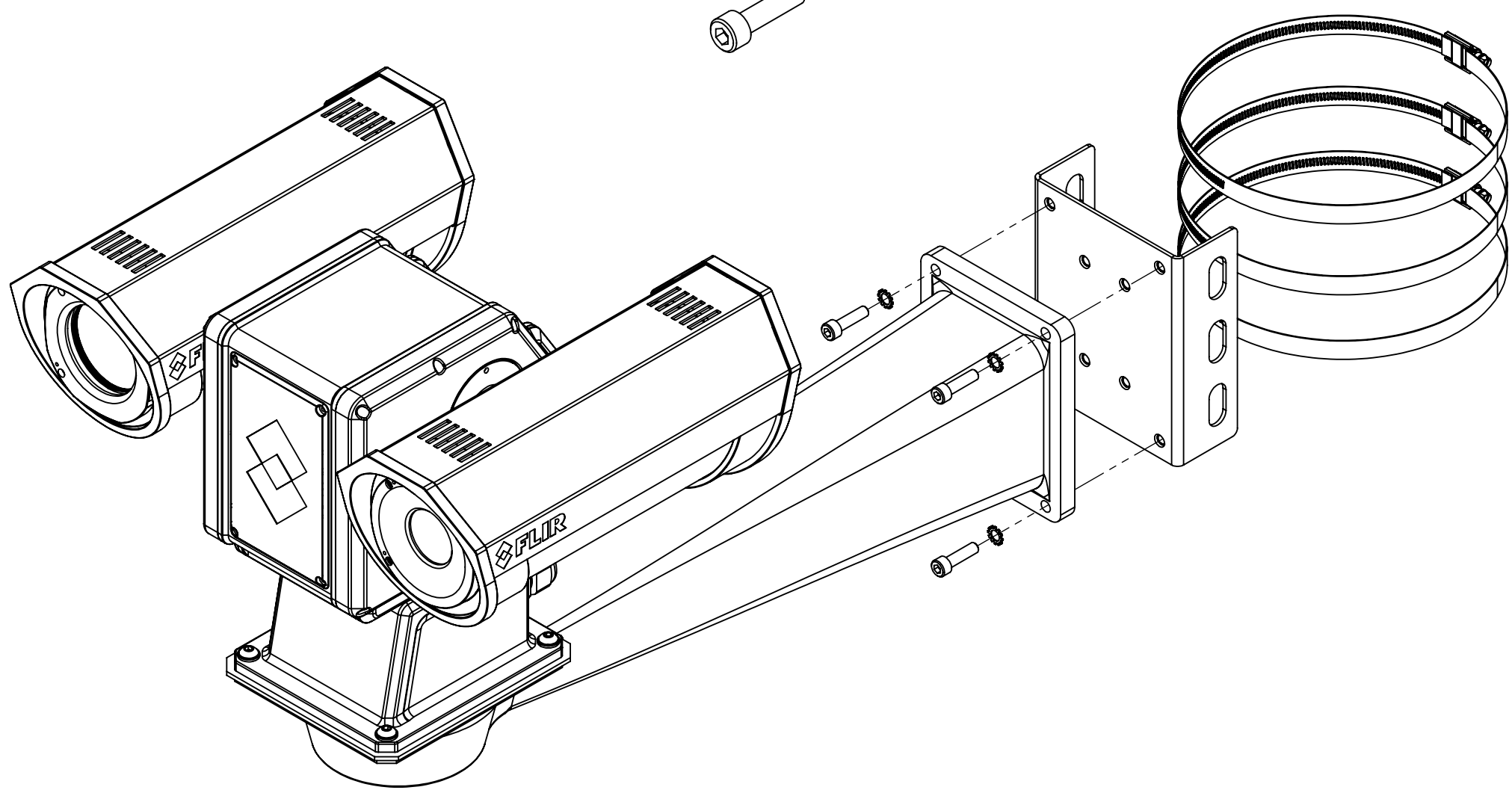
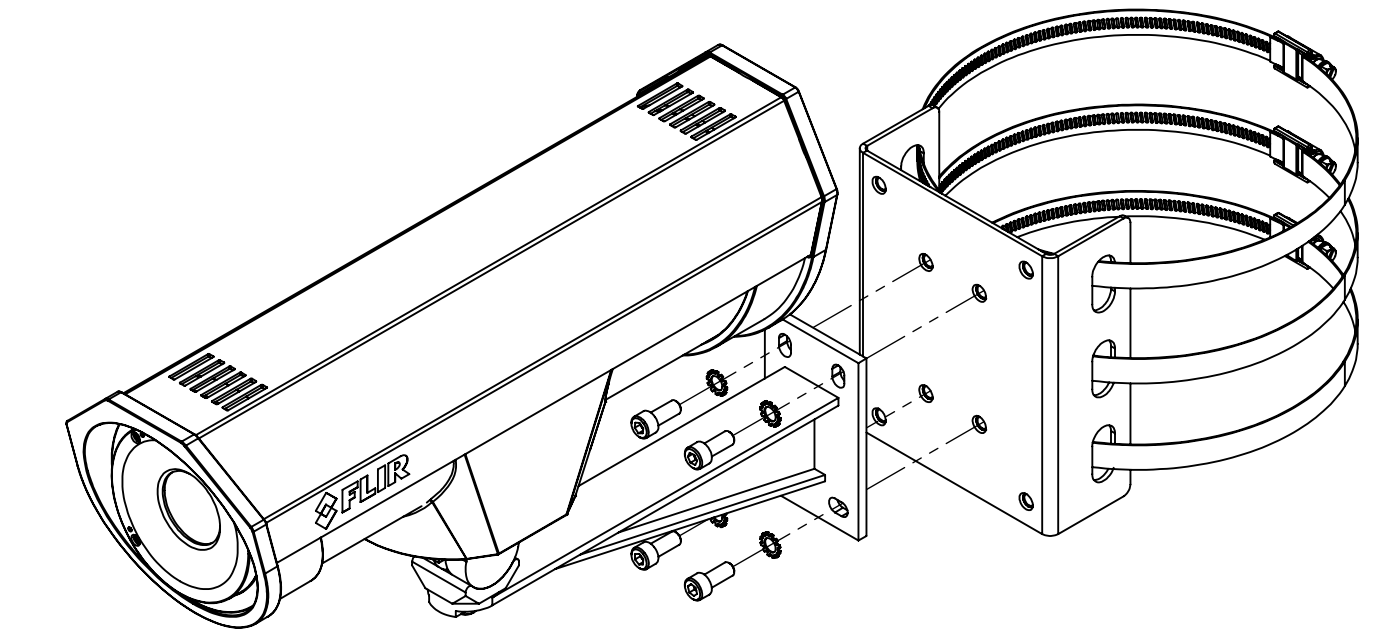
% DC @585DH9F 577CAAC85H9G 0% \$!& \$a a 'O"\$!- "\$BQ  
 &' @F: 9DC @585DH9F 5GGM! DH9F 9GFDB ) \$\$!%&!\*\$\$E 5H98'f97 Hm  
 K #k '6C H: K 5@A C I B H5 GGM! DH9F 9GFDB ) \$\$!%&!\*\$\$E 5B8 'K 5@  
 A C I B H5 GGM! :!G9F 9GFDB ) \$\$!%&!\*\$\$E  
 "' <5F8K 5F9f6CA #DA G' 5B8 (L'B7 @ 898 '69BC1; < HC 5H57 < 5'  
 GB: @5FA 'fDH9F 9GF: !G9F 9GL' @F: 9DC @585DH9F 5GGM8C 9GB8 C  
 5@C K': CF 5H57 < B: 'K C 'fc F' A CF9L' A C I B H: '5FA G5HH'9G5A 9'  
 HA 9'

8



8

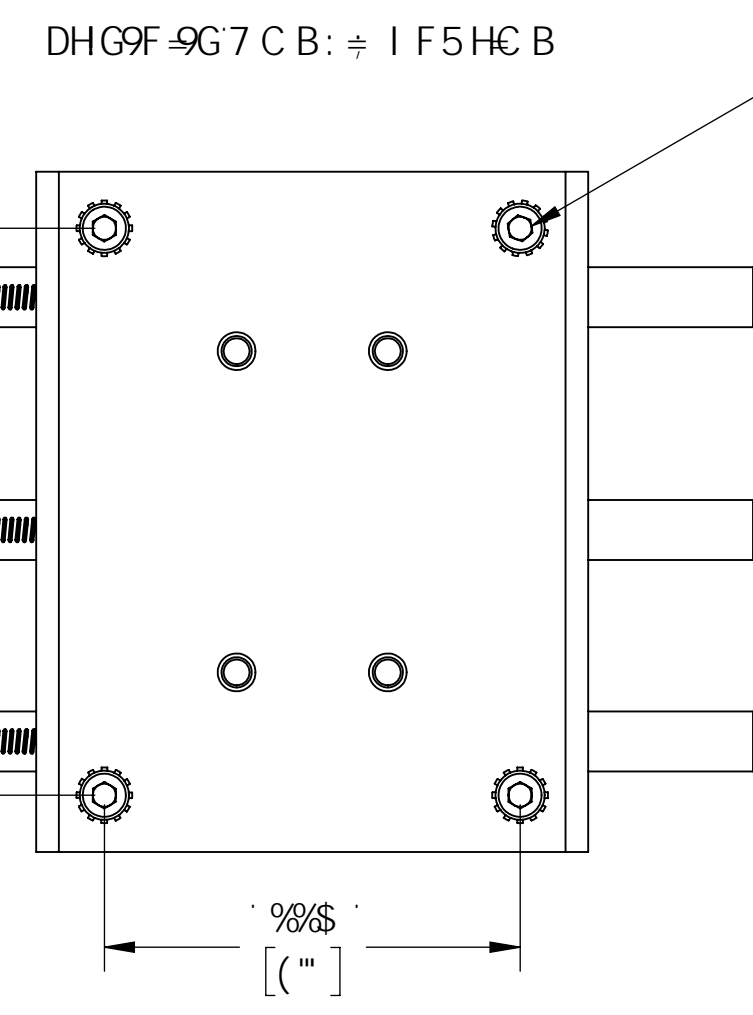
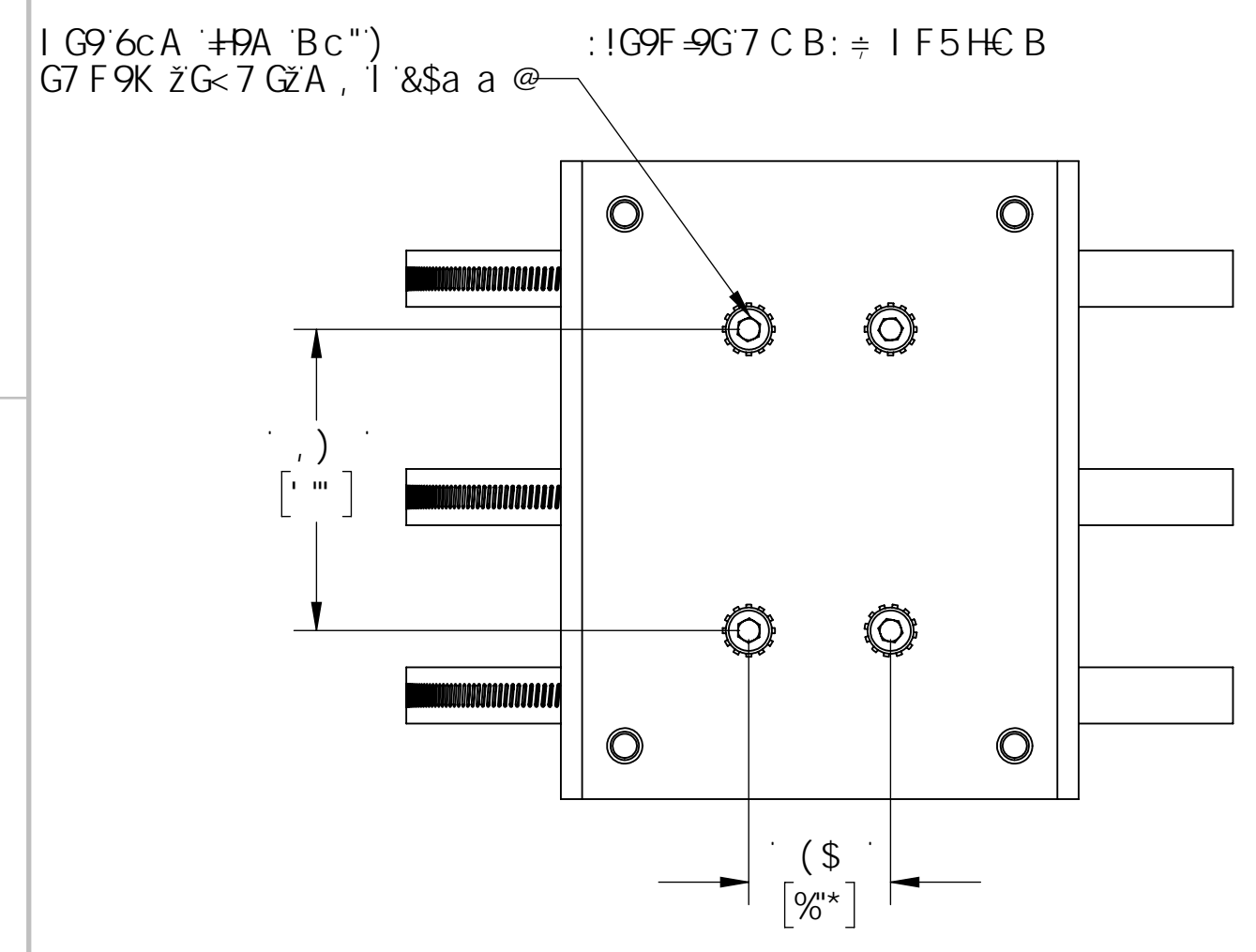
7



GFI 7H F9A 5H9F 5 @J 5F 9G  
 K #k 'BG5 @5HC B

7

6



I G9'6cA ' #DA 'Bc'' (G7F9K ZG-7GZA, I ' \$a a @

(		G7F9K ZG-7GZA, I ' &\$a a @	)
(		G7F9K ZG-7GZA, I ' \$a a @	(
(		K UgY f29I Hf BU 'Hc h ZA,	.
'	( &9, ' *	6Ubx 7 'Ua dg*! - B! DHGY fYg	&
%	&*%&, *!\$\$	Dc Y A ci bh5Xu dHy f26UbXYX ! DHGY fYg	%
E HM	D5FHBI A 69F	8 9G7 F -DHC B	#9A

5

**@Jf [ Y Dc `Y '5Xu dHy f '5 ggm! 'DHIGYf]Yg  
 fDB ) \$\$!%&!\*\$\$  
 -BG5 @5HC B**

**@Jf [ Y Dc `Y '5Xu dHy f '5 ggm  
 DHIGYf]Yg**

METRIC

DFCDF-9H5 FMI': @F'GMGH9AGZ-B7"  
 VP @!OU OWT Op VAOUPVU USSOAVU AS @!AOOPU SU OY AOX OS @!AV P O P U T @!P!OU P V O P O @!AV P  
 OU OWT Op VAOUPVU USSOAVU AS @!AOOPU SU OY AOX OS @!AV P O P U T @!P!OU P V O P O @!AV P  
 OBT @!VU O P @!P!AOOWS @!P!AOOWS @!P!AOOWS @!P!AOOWS @!P!AOOWS @!P!AOOWS @!P!AOOWS @!P!AOOWS  
 VU @!OU OWT Op VAOUPVU USSOAVU AS @!AOOPU SU OY AOX OS @!AV P O P U T @!P!OU P V O P O @!AV P  
 OU OWT Op VAOUPVU USSOAVU AS @!AOOPU SU OY AOX OS @!AV P O P U T @!P!OU P V O P O @!AV P

DWG NO. ) \$\$!%&!\*\$\$ SH 4 REV 5

5