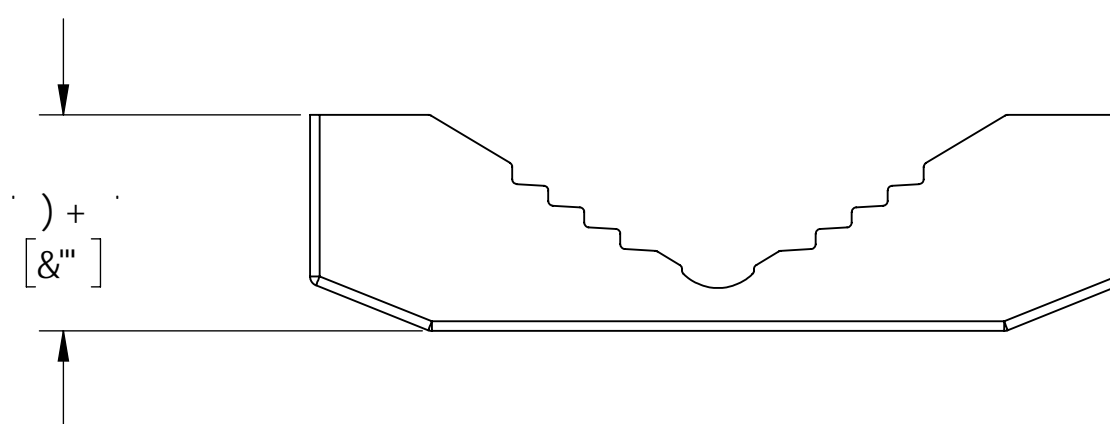


BC HPG I B @GGCH 9FK -9G D97 -98

DC @585DHF 577CAA C85HG Ø, \$!% \$a a "0")" -BQ

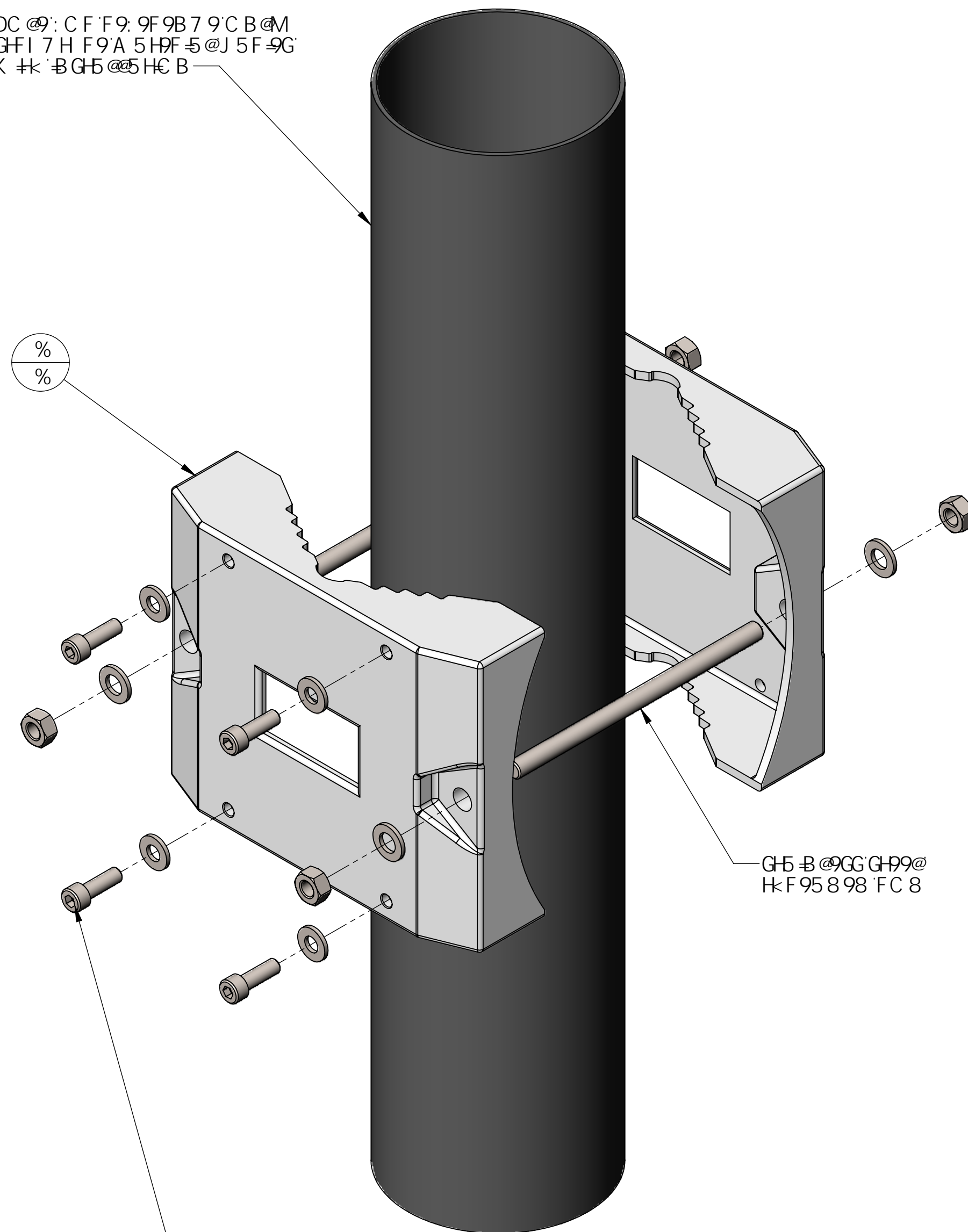
A 5H9G8 F97 H@MK #-K 5@@
A C I BH5FA '5GGMf) \$!%!!\$
K 5@@A C I BH5GM5B8 'D5B '5B8'
H@HG-C K B': C F F9: 9F9B 7 9 C B @M

8



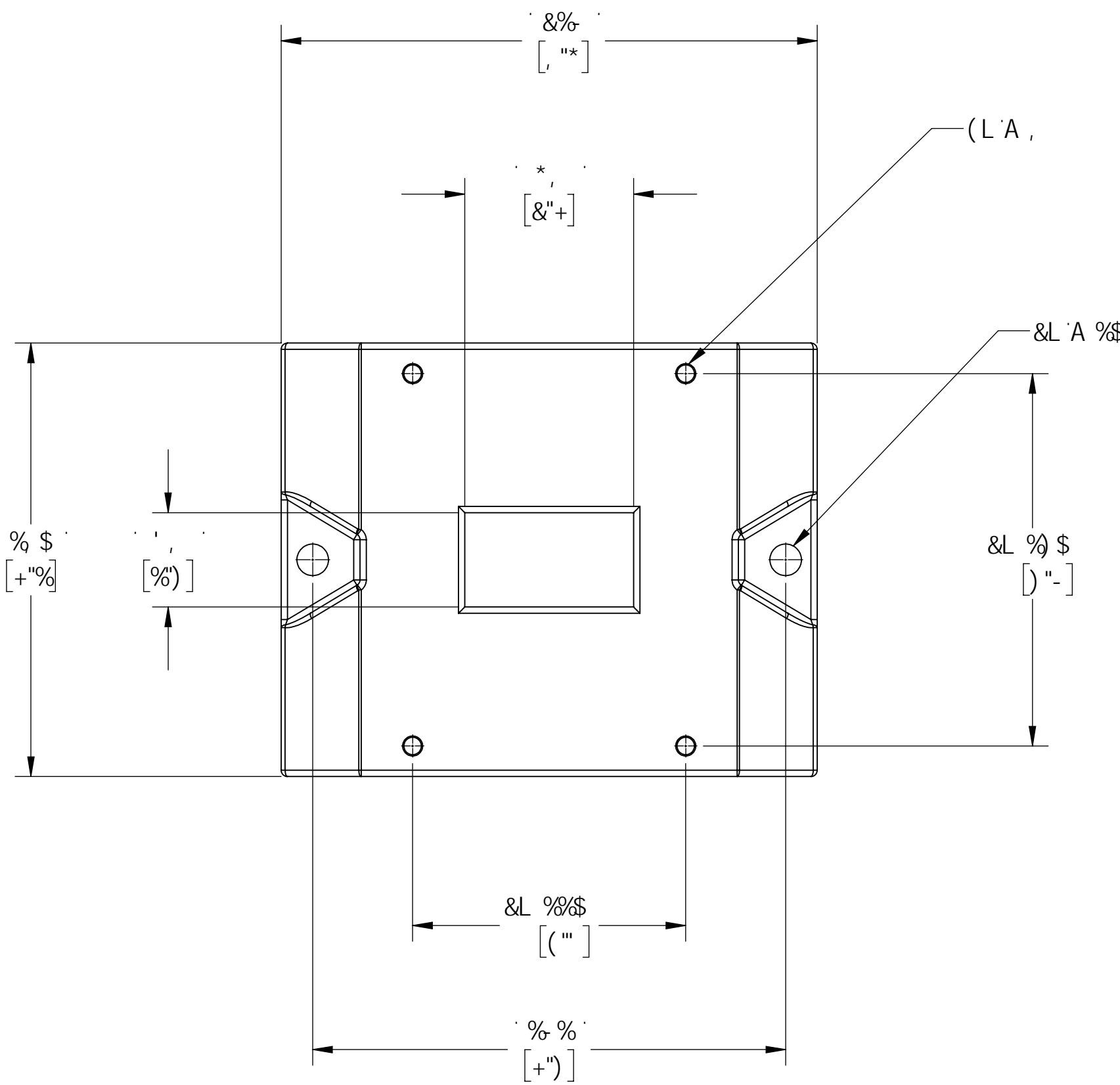
8

DC @: C F F9: 9F9B 7 9 C B @M
GF1 7 H F9A 5HF @J 5F 9G
K #-B G5 @5HC B

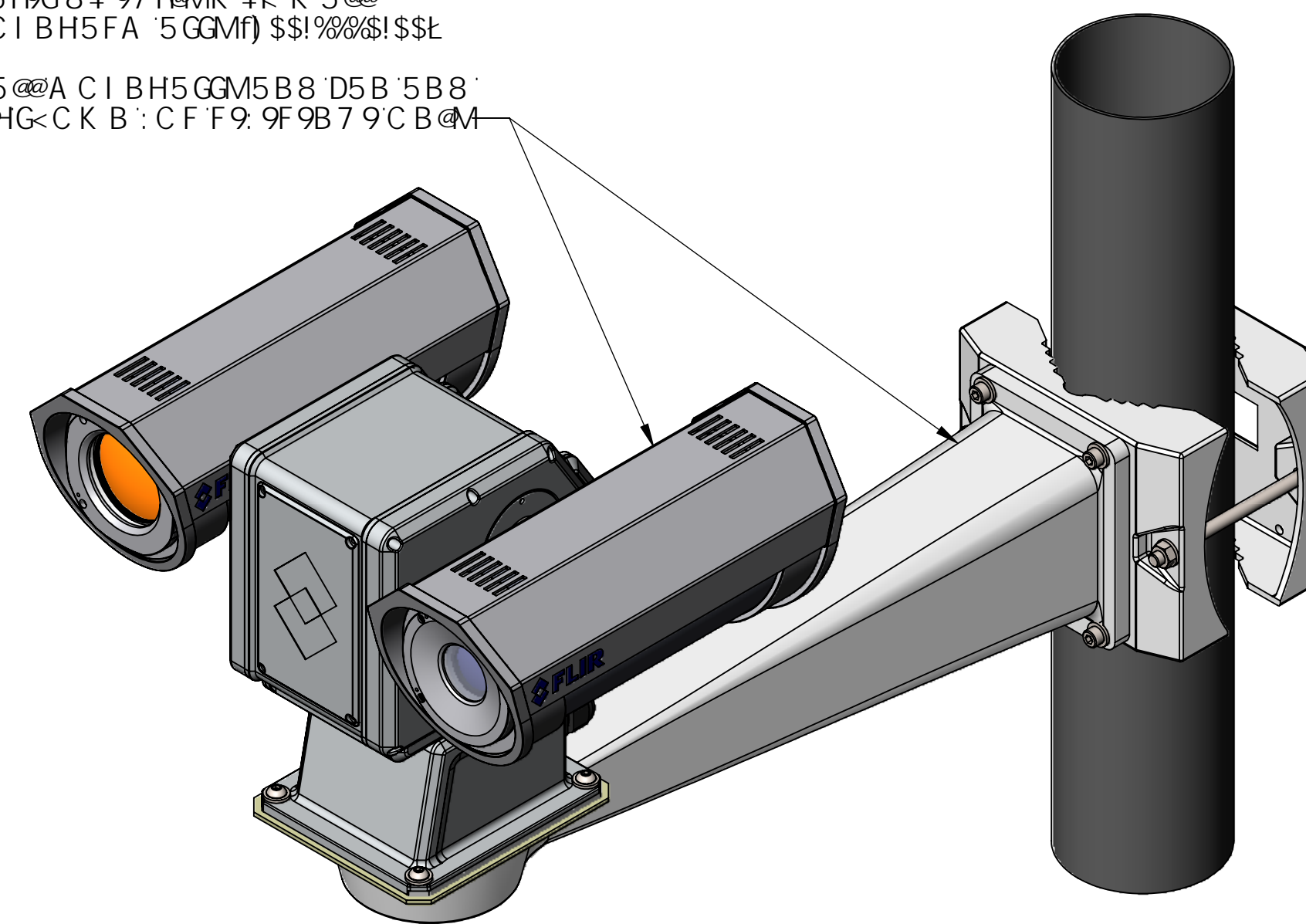


G5 B @GG G49@
H: F 95898 FC 8

<5F8K 5F9G-CCK B 'B7 @ 898 K #-K
GA 5@DC @585DHF f) \$!%!!\$



7



DWG NO.

SH 3

REV 5

5

7

6

5

%	(&?) +\$	Dc Y A ci bh5XUdHf f! DHGf]Yg	%
E HM	D5FHBI A 69F	8 9G7 F-DHC B	#9A

Ga U`Dc `Y`5 XUdHf `5 ggm
DHIGYf]Yg

METRIC

DFCDF-9H5 FM1: @F`GMG9 AGZ-B7"

Ga U`Dc `Y`5 XUdHf `5 ggm! DHIGYf]Yg
fDB) \$!%!!\$
-BG5 @5HC B`

VPQ/UOWT Op VAUOPVU SSOAUAS OAPPU SUOY SOX OSA P OAP OUT Oe Wp AOUP V OOA P P O
OUOWT Op VAUOV OAU AUW OSAUO AUU O WOVU P VUUSOOAUU OYUUV OYAVPOAYUU UA
OBT Oe Wp Oe P O O W Oe P O U O O O O O U U P O U P V U O U Y A U A U O Y A U A U U P O O O E
WU O O U E V T O P V A U O U T T O O O O W P U U O O O O P O A P O U V A U O W O O A U O U A U O Y U U V A U A U O U O O A U A
OUU O P A U O U U P A U A U O U V O U A P S O U U A V P O U Y O A U U U P O O O E



FLIR
SIZE D
CAGE 064Y2
PIECE PART) \$!%!!\$
SCALE % %
PRINTED: #&- #&\$ %
SHEET OF % \$
REV 5