

MCB-72M2713M0A

SKU: 218307



1/2.8" HD Camera, Day&Night, 1920x1080, Infrared, WDR, 2.7-13,5mm, 12/24V, IP67

Main Features

- 1/2.8" 2 megapixel SONY STARVIS CMOS sensor
- Resolution max. 1920x1080 (Full HD)
- Integrated connection box with circuit board
- Simple and tidy wiring
- Separate outputs for digital and multi-signal
- Multisignal: HD-TVI, AHD, CVI and Composite selectable

- Digital signal: EX-SDI, HD-SDI selectable
- Motorized lens 2.7 ~ 13,5mm
- Removable infrared cut filter
- ROI (Region of Interest) WDR mode
- Integrated motion detector, defog, privacy zones
- IP67, built heater

Specifications

General:	
Dimensions (HxWxD)	130,5x107,8x301mm
Illumination	5x High Power LED 850nm, Infrared
Integrated wall mount	yes
Sunshield	yes
Supply voltage	12VDC, 24VAC, 12VDC, 24VAC
Text display	supplied
Series	eneo Candid Medium, eneo COAXIZE, eneo KX-Series
Housing	Outdoor
Color (housing)	Pantone Cool Gray 1C

MCB-72M2713M0A

Continuation of the specifications

Housing material	Aluminium
Heater	yes
Mounting	Ceiling mount, Wall mount
Power consumption	10.5W
Vandal proof	no
Operating temperature	-30°C ~ +50°C
Protection rating	IP67
Illumination range	approx. 60m
Weight	1.6kg
DORI:	
Observe (62 px/m)	17 - 80 m
Recognize (125 px/m)	8 - 39 m
Identify (250 px/m)	3,9 - 19 m
Detect (25px/m)	45 - 190 m
Functions:	
Motion detector	yes
Digital noise reduction (DNR)	yes
OSD function control	OSD camera setup
Menu languages	German,English,Chinese,Japanese,Korean
Mirror function	mirror,V flip
Privacy zone masking	Areas-ON/OFF switchable
Analysis functions	Defog
Camera:	
Imager	Sony STARVIS, Sensor IMX291, CMOS, CMOS
Automatic electronic shutter (ESC)	1/25 ~ 1/30.000sec.
Flickerless function	yes
Backlight compensation	BLC,HLC
Low speed shutter	manual time preselection,yes
Manual electronic shutter (MES)	1/25 ~ 1/30.000sec
Signal-to-noise ratio	50dB
Day&Night mode	Automatic,Day,Night
White balance	Automatic, Preset, Manual
Wide Dynamic Range (WDR)	Real Time WDR 25/30fps,WDR 113dB, WDR 113dB
System	True Day&Night
Sensor size	1/2.8"
Day&Night switch	ICR
Sensitivity	0,08 Lux at F1,4, 40 IRE
Camera type	Bullet
Parts supplied:	
Parts supplied	manual,drilling template,bag of screws
Lens:	
Iris control	DC

MCB-72M2713M0A

Continuation of the specifications

Lens Type	Varifocal (motorized)
Focal Length	2,7 - 13,5 mm
Zoom Factor	4x
Digital Zoom	no
MOD (Minimum Object Distance)	0,5 m
Aperture range (F)	F1.4
Interfaces / Inputs/ Outputs:	
External connectors	voltage input, 1x SDI Signal (BNC), 1x HD/SD Analog Signal (BNC), connection cable approx. 100cm
Serial interfaces protocols	UTC (HD-Signal Format)
Video outputs	AHD, Composite (CVBS), CVI, EX-SDI, HD-SDI, HD-TVI
Alarm inputs	no
Alarm outputs	no
Serial interfaces	Coaxitron (HD Protocol)
Video:	
Synchronization	internal
Signal format	AHD @ 2MP, Composite (FBAS), CVI @ 2MP, EX-SDI (270 Mbps), HD-SDI (1.485 Gbps), HD-TVI @ 2MP
Frame rate	25/30fps @ 1920x1080p, 50/60fps @ 1280x720p
Other	
Remarks	NDAA compliance under Section 889
Video standard	PAL/NTSC
Resolution Pixels	1280x720, 1920x1080, 720x576
Low Speed Shutter	yes
Digital Noise Reduction	yes
Backlight Compensation	BLC, HLC
Motion Detector	yes
Objektiv Typ	Varifocal (motorized)
Iris Control	DC
Horizontal Angle of View	97 - 29°
Vertical Angle of View	54 - 17°
Illumination	Infrared
Manufacturer order number	218307

Optional Accessory

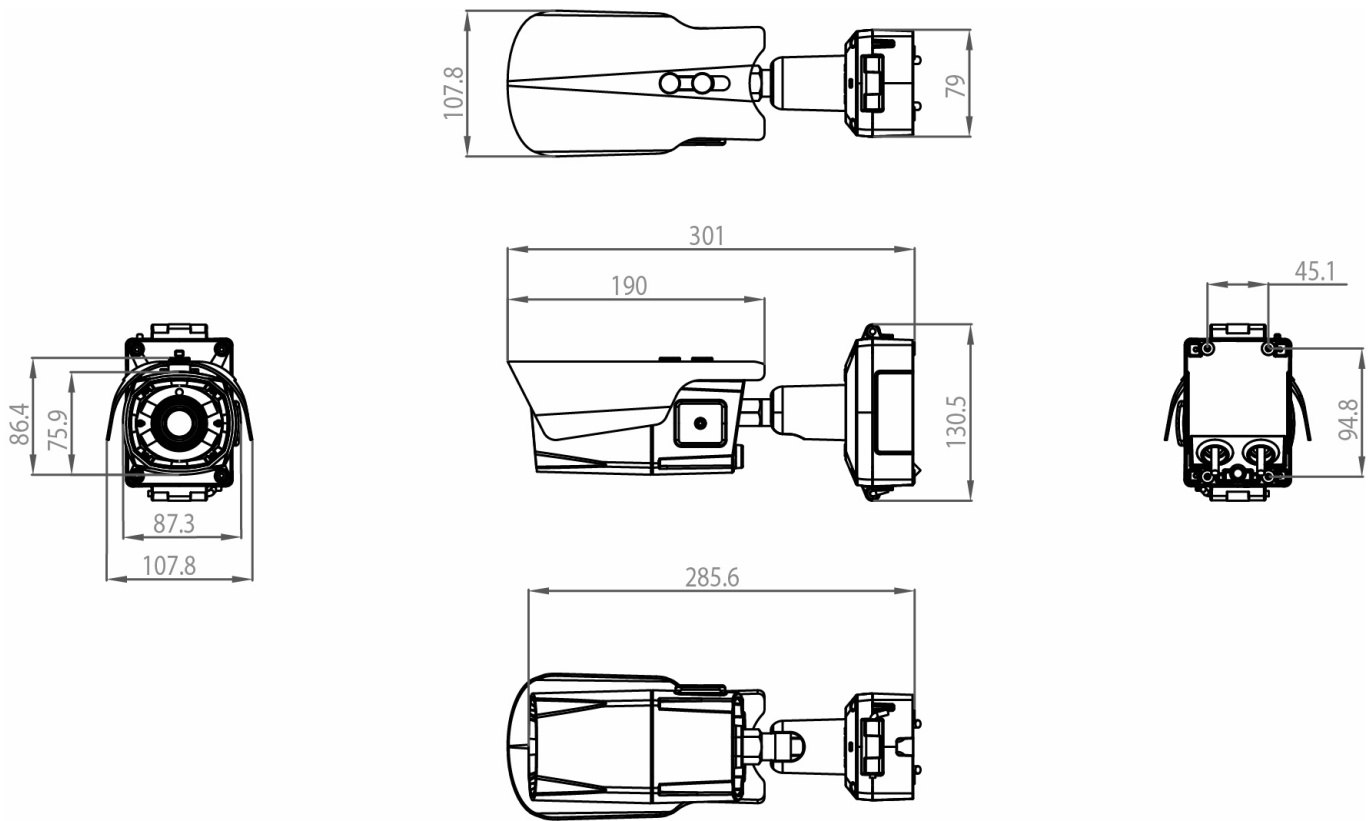
SKU	Name	Description
225085	MAM-5DC1004M0A	Distributor, 1x BNC Input HD-TVI, CVI, AHD, CVBS, 4x BNC Output
220299	MAM-5MM1001M0A	Converter, HD-CVI, HD-TVI, AHD, Composite to HDMI, VGA, Composite, Indoor

MCB-72M2713M0A

Continuation of accessory

236125	MAM-5MM2203M0A	Converter, 4K HD-TVI, HD-CVI, AHD, auf HDMI, Indoor 12VDC
202641	PM-42A	Pole mount adaptor for eneo Candid, Candid S, Candid M, WB1, AK-5, AK-4
218653	PS12DC-11	Plug-in Power Supply Unit, 100-240VAC/12VDC (1,0A), regulated, with DC Plug
212984	TVA-1201TRA	UTP Transmitter+Receiver, UTP, BNC, 250m, Indoor, HD TVI CVI, AHD, CVBS, Active, 12V
212985	TVA-1201TRP	UTP Transmitter+Receiver, UTP, BNC, 150m, Indoor, HD TVI CVI, AHD, CVBS, Passive

Technical Drawing



Maße / Dimensions: mm



eneo is a registered trademark of
VIDEOR E. Hartig GmbH
Carl-Zeiss-Straße 8

63322 Rödermark, Deutschland

Phone: +49 6074 - 888 - 300
Fax: +49 6074 - 888 - 100
E-Mail: info@eneo-security.com
Web: www.eneo-security.com

Stay informed and subscribe
to the eneo newsletter

