

## TV Format 0.65M Small Camera

NEW

TV Format CMOS Board Camera

# STC-S133N 【NTSC】 STC-S133P 【PAL】

TV format output (NTSC/PAL) small sized camera.

This camera can use at the limited space.

No lens mount model, fixed lens model and CS mount lens model are available.

No IR cut filter type also available.



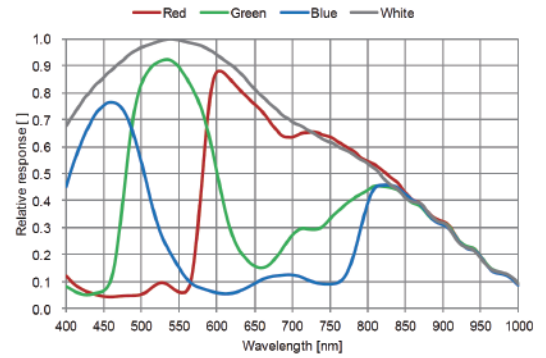
### Features

- 1280(H) x 486(V) (NTSC)
- 1211(H) x 576(V) (PAL)
- 0.65M Pixel
- 1/3.2" Sensor
- Lens Mount: No lens mount, Fixed lens, CS mount
- Dual Pass Filter
- 25 x 22 x 17.5 mm  
(excluding connectors, Fixed lens type)

## Specifications

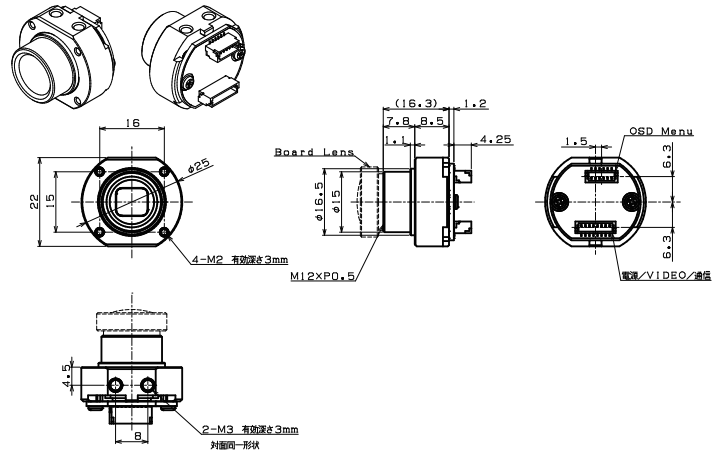
Model Numbers	: STC-S133N (NTSC, No lens mount) STC-S133N-L (NTSC, Fixed lens) STC-S133N-CS (NTSC, CS Mount) STC-S133N-NF (NTSC, No IR cut filter) STC-S133P (PAL, No lens mount) STC-S133P-L (PAL, Fixed lens) STC-S133P-CS (PAL, CS Mount) STC-S133P-NF (PAL, No IR cut filter)
Image Sensor	: 1/3.2" CMOS (SONY ISX017)
Effective Pixels	: 1280 (H) x 486 (V) (NTSC) 1280 (H) x 576 (V) (PAL)
Cell Size	: 3.5 (H) x 3.5 (V) $\mu\text{m}$
Scan System	: 2:1 Interlace
Sync System	: Internal
S/N ratio	: TBD
Minimum scene illumination	: TBD
Gain	: Auto / Manual
White Balance	: Auto / Manual
Image Flip	: Off / Horizontal / Vertical / Horizontal and Vertical
Back light compensation	: On / Off
OSD	: Available
Wide dynamic range compensation	: On / Off
Defog	: On / Off
Noise reduction	: 2D
Gamma	: Preset / Manual
Privacy Masking	: Up to 16
Shading correction	: Available
Lens distortion correction	: Available
Pixel defect correction	: Available
Color reproduction	: Hue / Density
Highlight compensation	: Available
Flicker correction	: Available
Day/Night function	: TBD
Lens mount	: No lens mount, Fixed lens, CS Mount
Optical Filter	: Dual Pass Filter
External connector	: BM8B-SRSS-TB(JST)
OSD connector	: BM6B-SRSS-TB(JST)
Input Voltage	: 5.6V to 13.2V
Consumption	: TBD
Dimensions	: 25 (W) x 22 (H) x 17.5 (D) mm (excluding connector, STC-S133N(P)-L)
Weight	: TBD
Compliance	: RoHS Compliant

## Spectral Sensivity

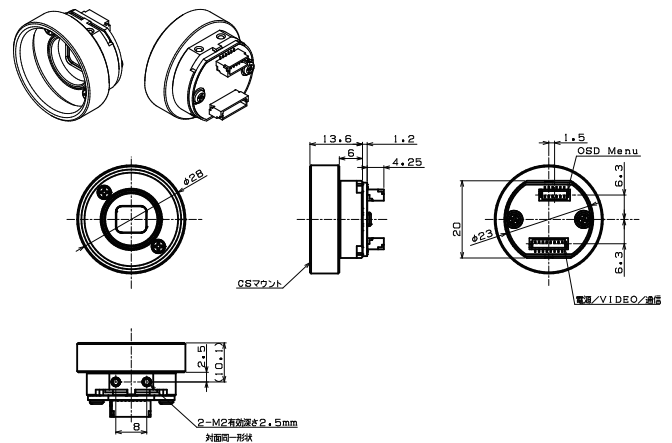


## Dimensions

### STC-S133N(P)-L



### STC-S133N(P)-CS



2016.5

※Specifications are subject to change without notice.