

SC-HDR01S

HD-SDI to HDMI Converter

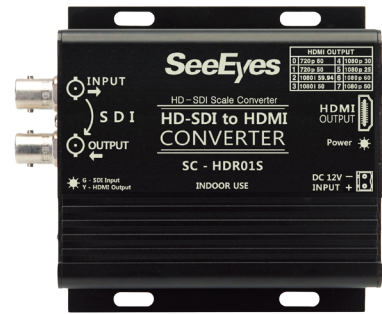
SC-HDR01S converts HD-SDI signals to HDMI signals. It has a built-in rotary switch for scaling adjustment so that the HDMI output can be set to different resolutions regardless of the input resolution. By pairing with SC-HDT0801S, it can transmit the HDMI signals over long distances without any loss of signal.



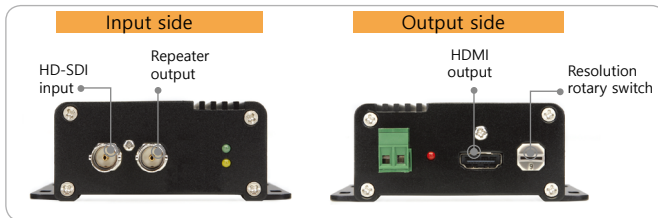
Features

- It receives HD-SDI signals and converts them to HDMI signals
- HDMI output resolution adjustment rotary switch
ex) HD-SDI input: 1080p30 → HDMI output: 1080p60
- Long distance transmission is possible via RG-6 coaxial cable
- 200m (Full HD: 1.5G) / 100m (Full HD: 3G)
- Built-in HD-SDI repeater function
- Built-in surge protection circuit
- Embedded audio is supported for broadcasting
- Transmission of the HDMI signals for a long distance without any signal loss when it is paired with SC-HDT0801S.

[SC-HDR01S]



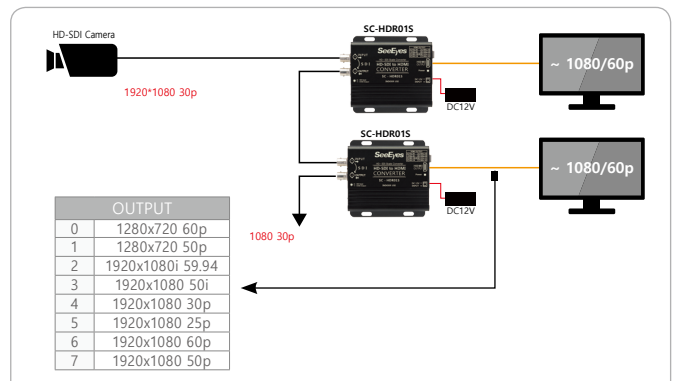
SC-HDR01S Interface



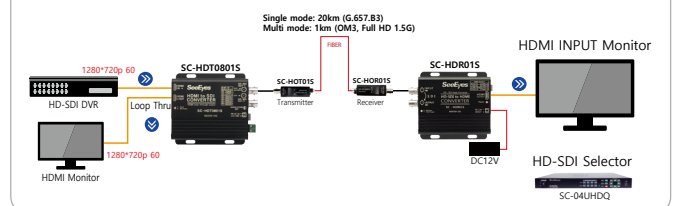
Specifications

MODEL		SC-HDR01S	
Input signal		HD-SDI(Full HD : 1.5G, Full HD : 3G)	
Output signal		HDMI (HDMI 1.3,DVI Compliant : Out)	
		HD-SDI (When using as a Buffered Output Repeater)	
HDMI output setting (Rotary DIP Switch)		SW No.	OUTPUT
		0	1280x720p 60
		1	1280x720p 50
		2	1920x1080i 59.94
		3	1920x1080i 50
		4	1920x1080p 30
		5	1920x1080p 25
		6	1920x1080p 60
		7	1920x1080p 50
Connection port	HD-SDI in/output	BNC-F_75Ω	
	HDMI output	HDMI A Type	
	Power input	2PIN Terminal Block	
LED	Green	ON: Successful HD-SDI signal input	
	Yellow	ON: Successful HDMI output	
	RED	ON: Successful power input	
Power input	DC 12V / 0.5A or higher		
Power Consumption	Max 2.6W		
Temperature / Humidity	-10°C ~ +50°C / 0 ~ 80%		
Case / Weight	Aluminum / 220g		
Dimensions(mm)	93(W) x 93(H) x 35(D)		

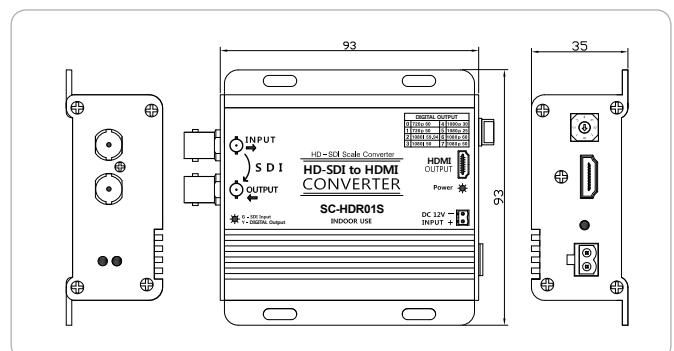
Application Diagram



HDMI to HD-SDI transmission via fiber optic converters



Dimensions



HD/EX-SDI TRANSMISSION