

VGA/2M/4M CameraLink High-Speed Global Shutter

NEW

VGA / 2M / 4M CMOS

STC-CMB33PCL 【VGA Mono】

STC-CMB200PCL 【2M Mono】

STC-CMB401PCL 【4M Mono】

STC-CMC33PCL 【VGA Color】

STC-CMC200PCL 【2M Color】

STC-CMC401PCL 【4M Color】

Sentech is proud to introduce the brand new Mini C-MOSIS Camera Link series. These cameras feature global shutter, which will allow them to safely record moving objects. The 2M & 4M models are available in Near IR versions. These models are the second generation C-MOSIS Camera Link cameras, and have a smaller size, lower power consumption, and are a lower cost.



Features

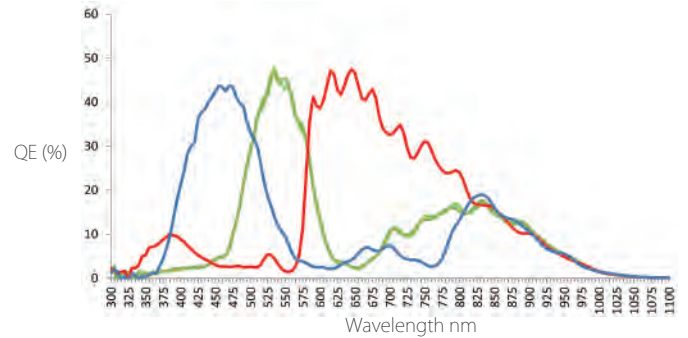
- VGA
642(H) x 484(V) 480fps
7.4 μm x 7.4 μm 1/3" Sensor
- 2M
2048(H) x 1088(V) 333fps
5.5 μm x 5.5 μm 2/3" Sensor
- 4M
2048(H) x 2048(V) 180fps
5.5 μm x 5.5 μm 1" Sensor
- Global Shutter
- PoCL / External Power Supply
- 40 x 40 x 40.5 mm (excluding connector)

Specifications

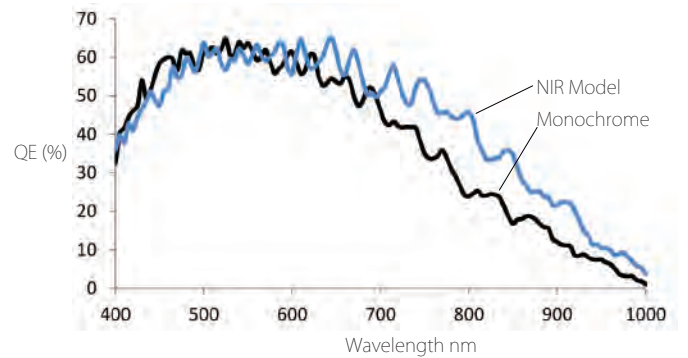
Model Numbers	: STC-CMC33PCL (VGA Color) STC-CMB33PCL (VGA Monochrome) STC-CMC200PCL (2M Color) STC-CMB200PCL (2M Monochrome) STC-CMB200PCL-NIR (2M NIR) STC-CMC401PCL (4M Color) STC-CMB401PCL (4M Monochrome) STC-CMB401PCL-NIR (4M NIR)
Image Sensors	: 1/3" VGA CMOS (CMOSIS CMV300) 2/3" 2M CMOS (CMOSIS CMV2000) 1" 4M CMOS (CMOSIS CMV4000)
Shutter Type	: Global Shutter
Effective Pixels	: 642 (H) x 484 (V) (VGA) 2048 (H) x 1088 (V) (2M) 2048 (H) x 2048 (V) (4M)
Cell Size	: 7.4 (H) x 7.4 (V) μm (VGA) 5.5 (H) x 5.5 (V) μm (2M/4M)
Frame Rate	: 480fps (VGA) 333fps (2M) 180fps (4M)
Noise Levels	: 3digits or less(8-bit, Gain 0 dB)
Video Format	: 8/10 bit Raw Data, RGB 8 bit (Color) 8/10 bit Raw Data (Monochrome, IR)
Interface	: CameraLink Base/Medium/Full/10Tap
Exposure Time	: 25 μsec ~ 45sec
ALC	: AGC ON / OFF and Electronic Iris
Digital Gain	: 1 ~ 5 dB
Gamma	: 1.0 (fixed)
White Balance	: Auto / Manual / Push to Set (Color Models Only)
Operating Mode	: Edge Preset Trigger / Pulse Preset Trigger
Communication	: RS232 communication (via Camera Link connector)
Power	: less than 1.68W (VGA)
Consumption	: less than 3W (2M) less than 3.5W (4M)
Dimensions	: 40 (W) x 40 (H) x 40.5(D) mm (excluding connector)
Optical Filter	: N/A
Lens Mount	: C Mount
External Connector	: Miniature Connector (SDR)
Power & Signal Connector	: HR10A-7R-6PB (Hirose) or equivalent
Camera Mounting	: 1/4" tripod mounting screw holes (1 on bottom surface)
M4 Mounting	: 4 Mounting Screws on the top and bottom of the camera
Screws	
Weight	: 94g (VGA) 102g (2M/4M)
Compliance	: RoHS Compliant

Spectral Sensivity

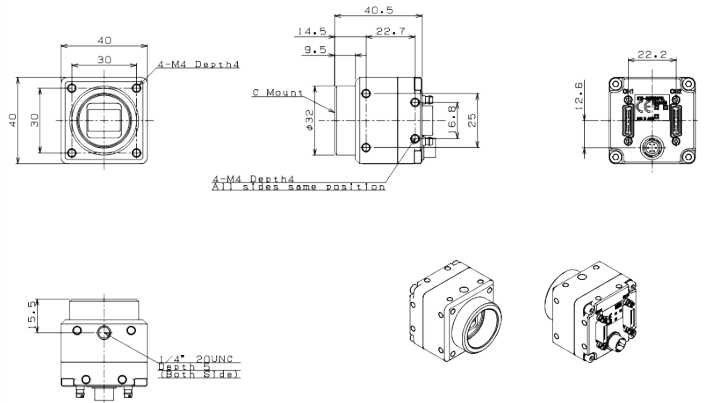
STC-CMC200(401)PCL



STC-CMB200(401)PCL / STC-CMB200(401)PCL-NIR



Dimensions



※Specifications are subject to change without notice.