

# ET5200Pp-DR Series

Hardened / Industrial IP CCTV Self-Configured 5-port 10/100/1000Base-T (4-port PoE+) Ethernet Switch



## Features

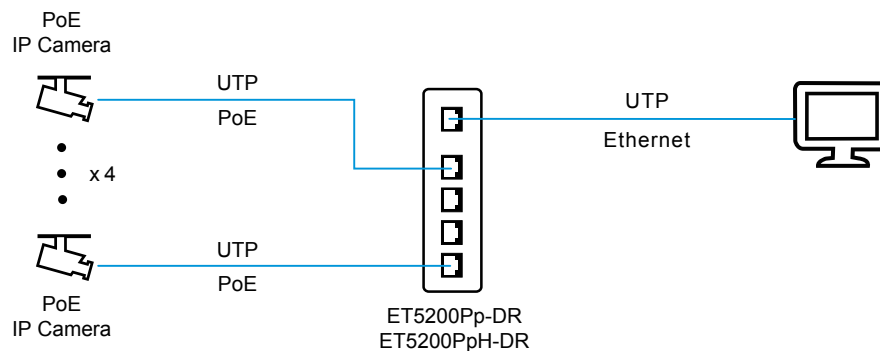
- ▶ 5 10/100/1000Base-TX
- ▶ Automatically support IGMP (Multicasting)
- ▶ 10/100/1000Mbps RJ45 Port Supports Full/Half-duplex, Auto-negotiation, Auto MDI/MDIX
- ▶ Supports IEEE 802.3at PoE+ (30W per port)
- ▶ Supports Light Hardware IGMP V1, V2, V3
- ▶ Supports 802.3x Flow control
- ▶ Supports Broadcast Storm Control
- ▶ 1M bits frame buffer memory
- ▶ 9K Bytes Jumbo Frame
- ▶ Supports Relay output for Power failure and port failure alarm
- ▶ Redundant Power Inputs
- ▶ Supports Wall-mount and DIN-Rail installation
- ▶ -40°C to 75°C (-40°F to 167°F) operating temperature



## Warranty

- ▶ 5-Year Warranty

## Typical Application



## Specifications

### Ethernet

|                      |  |
|----------------------|--|
| Standards            | IEEE802.3 10Base-T<br>IEEE802.3u 100Base-TX<br>IEEE802.3ab 1000Base-T<br>IEEE802.3z 1000Base-X<br>IEEE802.3af Power over Ethernet<br>IEEE802.3at Power over Ethernet |
| Processing Type      | Store-and-Forward  |
| Switch Fabric        | 10 Gbps  |
| Forward Filter Rate  | 14,880pps (10Mbps)<br>148,800pps (100Mbps)<br>1,488,000pps (1000Mbps)  |
| Packet Buffer Memory | 1 Mbit   |
| Max. Packet Length   | 9K Bytes   |
| Address Table Size   | 2048K MAC Addresses  |

### Interface

|           |          |
|-----------|----------|
| Connector | 5 x RJ45 |
|-----------|----------|

## Specifications

### Electrical and Mechanical

|                        |   |
|------------------------|---|
| Input Power            | 48~57VDC, Redundant Power<br>(6-pin Terminal Block) |
| Power Consumption      | Max 5W (PoE not in use)<br>Max 125W (PoE in use)    |
| LED Indicators         |   |
| Power                  | Power1, Power2 Status                               |
| Ethernet (Per Port)    | LINK/Activity                                       |
| PoE                    | Per Port Status                                     |
| Dimensions (W x D x H) | 148 x 120 x 31 mm                                   |
| Weight                 | 0.5Kg   |
| Casing                 | Aluminum Case                                       |
| Mounting options       | DIN-Rail / Wall-mount                               |

### Environmental

|                       |                                |
|-----------------------|--------------------------------|
| Operating Temperature |                                |
| Hardened              | -40°C to 75°C (-40°F to 167°F) |
| Industrial            | -10°C to 60°C (14°F to 140°F)  |
| Storage Temperature   | -40°C to 85°C (-40°F to 185°F) |
| Relative Humidity     | 5% to 95% non-condensing       |
| MTBF                  | > 200,000 hrs                  |

### Regulatory Approvals

ISO9001  
 EN55022:2010+AC: 2011, Class A  
 EN 61000-3-2: 2006+A1: 2009+A2: 2009  
 EN 61000-3-3: 2013  
 EN55024:2010  
 IEC 61000-4-2: 2008 (ESD)  
 IEC 61000-4-3: 2010 (RS)  
 IEC 61000-4-4: 2012 (EFT)  
 IEC 61000-4-5: 2014 (Surge)  
 IEC 61000-4-6: 2013 (CS)  
 IEC 61000-4-8: 2009 (PFMF)

### Ordering Information

| Available Model     | Description   |
|---------------------|---|
| <b>ET5200Pp-DR</b>  | Industrial IP CCTV Self-Configured 5-port 10/100/1000Base-T (4-port PoE+) Ethernet Switch |
| <b>ET5200PpH-DR</b> | Hardened IP CCTV Self-Configured 5-port 10/100/1000Base-T (4-port PoE+) Ethernet Switch   |

#### Optional Accessories (to be purchased separately)

**Power Supply** Please refer to the power supply information at the back of the catalogue, our website [www.ot-systems.com](http://www.ot-systems.com), or consult OTS sales at [sales@ot-systems.com](mailto:sales@ot-systems.com) for your power system design properly.

#### Package Checklist

|                                      |     |
|--------------------------------------|-----|
| ■ IP CCTV Self-Configured PoE Switch | x 1 |
| ■ Wall Mount Plates                  | x 1 |
| ■ DIN Rail Clip                      | x 1 |
| ■ Quick Installation Guide           | x 1 |



OT Systems Ltd., Oct 2015

Due to continuous improvement, all product specifications are subject to change without further notice.