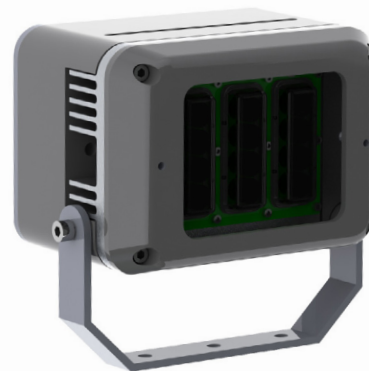




SPARTAN FLOOD IR12



LED Hazardous Area Floodlight Standard Variants

The Spartan Floodlight range is designed specifically for hazardous environments which require high performance, high reliability, Infra-Red illumination. Housed in Marine Grade aluminium with a toughened glass window, and using Raytec's field-proven, long-life LED technology, Spartan Floodlights are ATEX and IEC Ex approved for all Zone 1 and Zone 2 applications and rated for T4, T5 and T6 environments/locations. Available in standard versions only. For emergency variant see Spartan 24 or 48.

Spartan Flood is available in a variety of different beam patterns, both circular and elliptical, to suit any application. The circular beam patterns maximise light output, while the elliptical beam patterns use Raytec's revolutionary VARIO holographic lens technology to shape the light providing greater illumination distances with significantly reduced energy wastage. The VARIO holographic beam patterns can easily be modified – offering ultimate flexibility to specifiers, distributors and end-users.

Spartan Flood has been designed from the ground up for easy installation, easy maintenance, easy inspection, and long life performance. Spartan uses **COOLEXTRUDE™** thermal management technology, ensuring a much cooler LED operating temperature allowing the product to operate for >10 years. A unique, maintenance-friendly design allows quick and easy servicing and inspection of all key components including LED and PSU modules if required.

Features

- ATEX & IEC EX approved - Zone 1 & 2
- Ultra long life LED
- Easy installation, maintenance and inspection
- Wide operating temperature range
- Integral photocell (optional)
- 5 year warranty
- VARIO lens technology – easy modification of beam patterns

Why Raytec

- UK Designed & Manufactured
- Manufacturing precision engineered LED products
- Worldwide distributor support
- Lighting design and full technical support
- ISO9001 and ISO140001 accredited
- Award Winning Technology

Key Features

Ultra-Powerful

Latest high power LED technology

Ultra-Flexible

Beam patterns from 10° to 120° both circular and elliptical

Operating temperature range of -52°C to + 55°C with a T4/T5/T6 rating for even the most challenging conditions

Models incorporating VARIO Technology allow for easy modification of beam pattern

Ultra-Reliable

Industry leading 5 year warranty

Designed and manufactured in the UK to the highest standards including both ISO9001 & ISO14001

Advanced electronics and LED's protected by vibration resistant and water proof potting compound

Ultra-Modular

Both the LED and PSU modules are easily accessible for maintenance and inspection

Available as a standard fitting only

Removable PSU housing allows power supply to be fitted remotely

Ultra-Efficient

COOLEXTRUDE™ thermal management delivers class leading energy efficiency

Significant running and maintenance savings compared to traditional lighting technologies

SMART access wiring system for safe and efficient installation, set-up and ongoing inspection

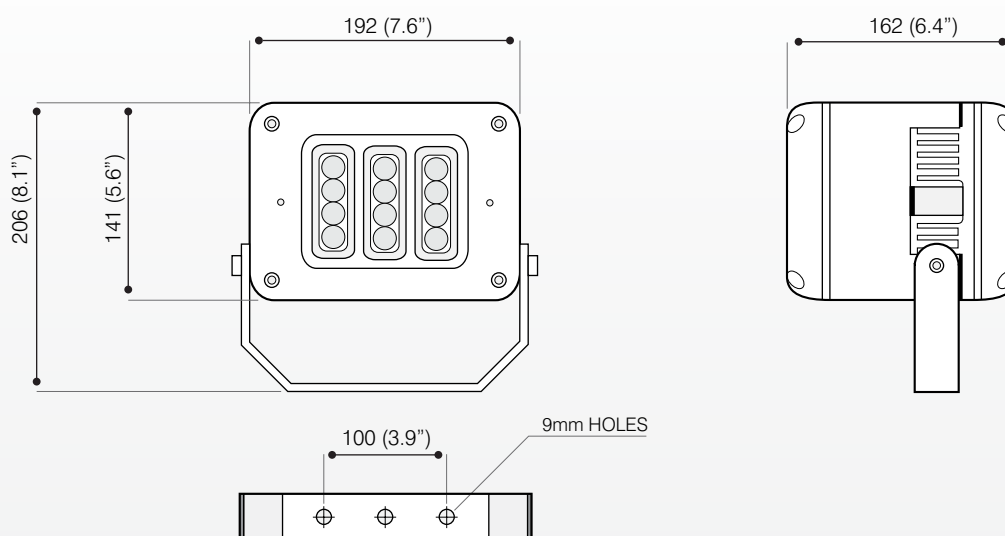
Ultra-Support

Photometric files available (.ies & .ldt)

Full Lighting Design Service

Site specific Energy and Cost Saving Report available

Product Dimensions



Technical Specifications

Certification

ATEX Rating:	ATEX and IEC Ex rated for Gas and Dust
Hazardous Area rating:	Zone 1 & 2 – Gas and Dust
Certificates:	CML13ATEX3007 & IECEx Pending
Gas:	II 2 GD Ex emb IIC T5 or T4 Gb Ta -50°C to +55°C II 2 GD Ex emb IIC T6 Gb Ta -50°C to +48°C
Dust:	Ex tb IIIC T82°C Db IP66 & IP67 - Ta -50°C to +55°C

Electrical

Input:	110-254V 50/60Hz AC only
Power:	30W standard
Termination:	Incoming terminal block suitable for looping 4 core 4mm ² cable
Power Factor	>0.95
Cable entries	2xM20 as standard (other entries available upon request), dispatched complete with one ATEX/ IEC Ex approved blanking plug

Optical

Beam Patterns-circular:	10°x 10° or 30°x 30° or 50°x 50° or 120°x 120° (10 x 10 option can be upgraded to VARIO Technology)
Beam Patterns-elliptical:	35°x 10° or 60°x 25° or 80°x 30° or 120°x 50° (VARIO)
LED type:	Platinum SMT LEDs
Number of LEDs:	12

Mechanical/Environmental

Burning position:	Universal
IP rating:	IP66 & IP67
Temperature range:	-52°C to +55°C
Weight:	5kg (11lbs)
Enclosure:	Marine grade aluminium epoxy powder coated, toughened glass, all external fasteners and brackets are marine grade stainless steel
Unit Colour:	Silver (RAL 9006),
Installation instructions:	Raytec ref 910-M-0094 – please contact Raytec for copy
Dimensions:	192 x 206 x 163mm (7.6 x 8.1 x 6.4")
Mounting:	U bracket (see dimension drawings on Page 2)

Circular beam pattern

Part Codes	Description (T4 variants as standard)	Distances
SPX-FL12-I-1010	Spartan Flood, 12 LED, Infra-Red, 10°x 10° beam	180m (591ft)
SPX-FL12-I-3030	Spartan Flood, 12 LED, Infra-Red, 30°x 30° beam	56m (184ft)
SPX-FL12-I-5050	Spartan Flood, 12 LED, Infra-Red, 50°x 50° beam	45m (148ft)
SPX-FL12-I-120120	Spartan Flood, 12 LED, Infra-Red, 120°x 120° beam	18m (59ft)

For options fitted with photocell add '-PC' to the above codes
Contact Raytec for T5 and T6 variants

Elliptical beam pattern

Part Codes	Description (T4 variants as standard)	Distances
SPX-FL12-I-3510	Spartan Flood, 12 LED, Infra-Red, 35°x 10° beam	80m (262ft)
SPX-FL12-I-6025	Spartan Flood, 12 LED, Infra-Red, 60°x 25° beam	60m (197ft)
SPX-FL12-I-8030	Spartan Flood, 12 LED, Infra-Red, 80°x 30° beam	40m (131ft)
SPX-FL12-I-12050	Spartan Flood, 12 LED, Infra-Red, 120°x 50° beam	28m (92ft)

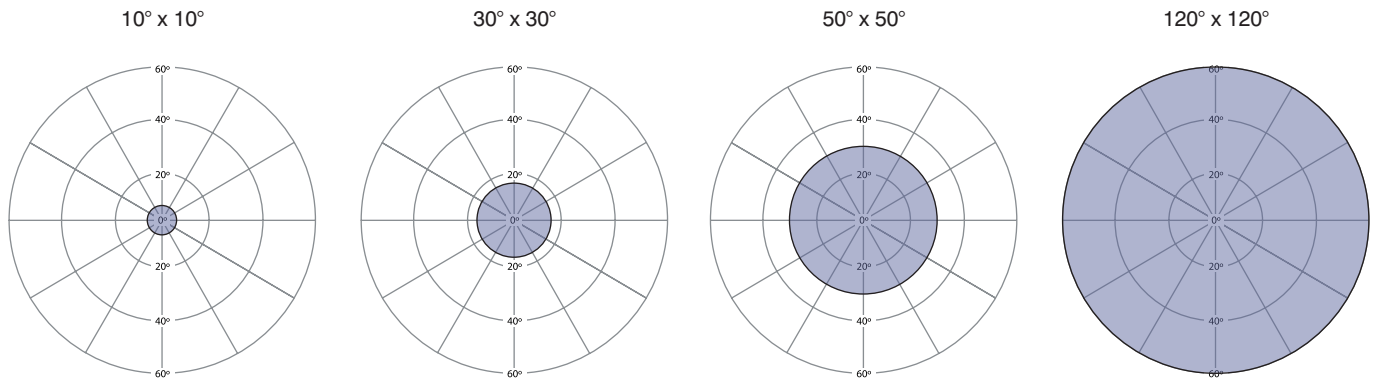
For options fitted with photocell add '-PC' to the above codes
Contact Raytec for T5 and T6 variants

5 YEAR WARRANTY

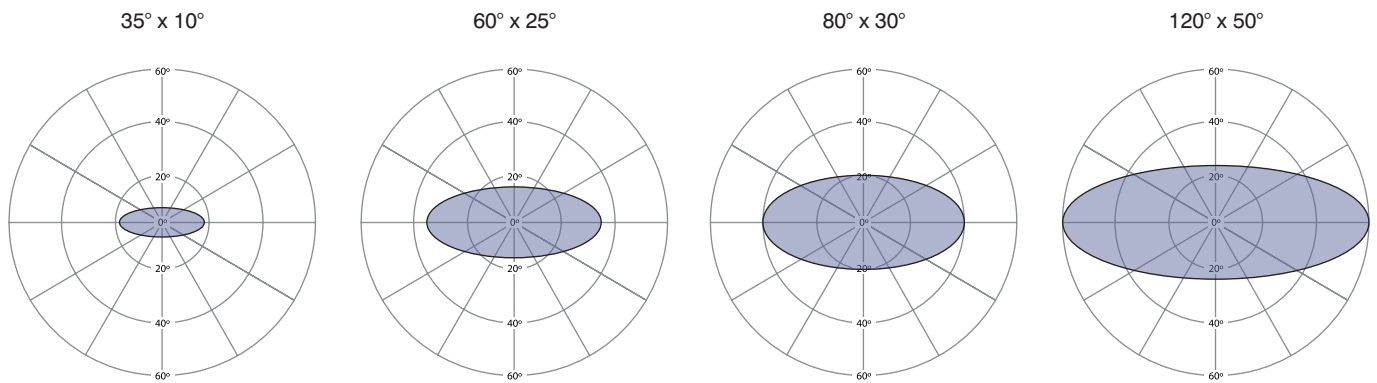
All Raytec luminaires are provided with an industry leading 5 year warranty and have an expected useful life in excess of 10 years



Beam patterns - Circular



Beam patterns – Elliptical (VARIO)



Products in the Spartan Flood 12 range

Spartan Flood 12 WL

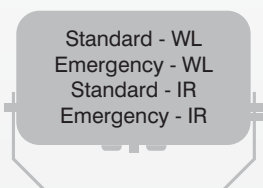


Spartan Flood 12 IR

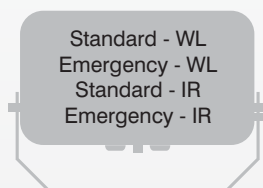


Other Products in the Spartan Hazardous Area Family

Spartan Flood 24



Spartan Flood 48



Spartan Linear 2"



Spartan Linear 4"

