

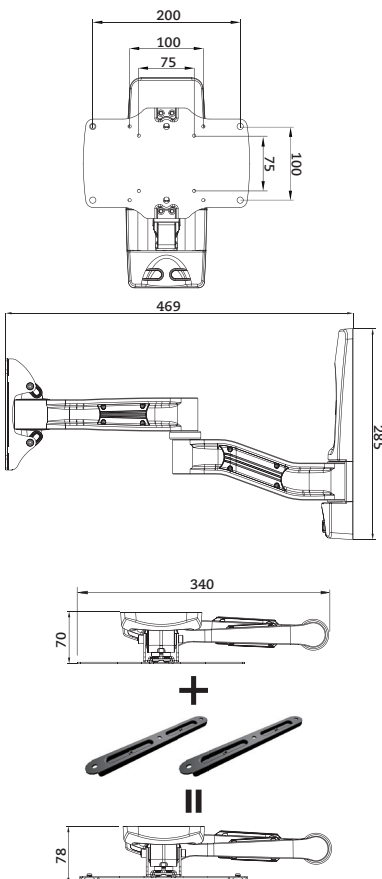
## WMA-01



Easily change to a variety of viewing angles with the AG Neovo WMA-01 wall mount arm for small- to medium-sized displays.

Effortlessly adjust display angles and change arm directions for sharing on-screen images ergonomically with the WMA-01 wall mount arm. Rugged and ergonomic construction design as well as smart cable management suit the needs of multi-user environments in both function and durability. Compatible with VESA standard, it supports small- to medium-sized displays weighing up to 25 kg.

- > Durable design for multi-user environments
- > Smart cable management
- > Tilt up and down for 30°
- > Swivel left and right for 180°
- > Foldable arm for more viewing angles
- > Compatible with VESA standard (75 x 75 mm to 200 x 200 mm)
- > Weight capacity: 25 kg



### Specifications

Mounting	VESA Standard	75 x 75 mm / 100 x 100 mm / 200 x 100 mm / 200 x 200 mm
Loading	Weight Capacity	25 kg (55.1 lbs)
Adjustment	Swivel Tilt	- 90° ~ + 90° - 15° ~ + 15°
Extension	Max. Distance to Wall Min. Distance to Wall	469 mm (18.5") 70 mm (2.8")
Exterior	Material Colour	Steel, Aluminium alloy, Plastic Black & Silver
Dimensions	Net (W x H x D) Packing (W x H x D)	345 x 285 x 469 mm (13.6" x 11.2" x 18.5") 347 x 98 x 327 mm (13.7" x 3.9" x 12.9")
Weight	Net Weight Gross Weight	3.1 kg (6.9 lbs) 3.9 kg (8.5 lbs)
Packing	1 Carton 1 Pallet	4 sets 120 sets